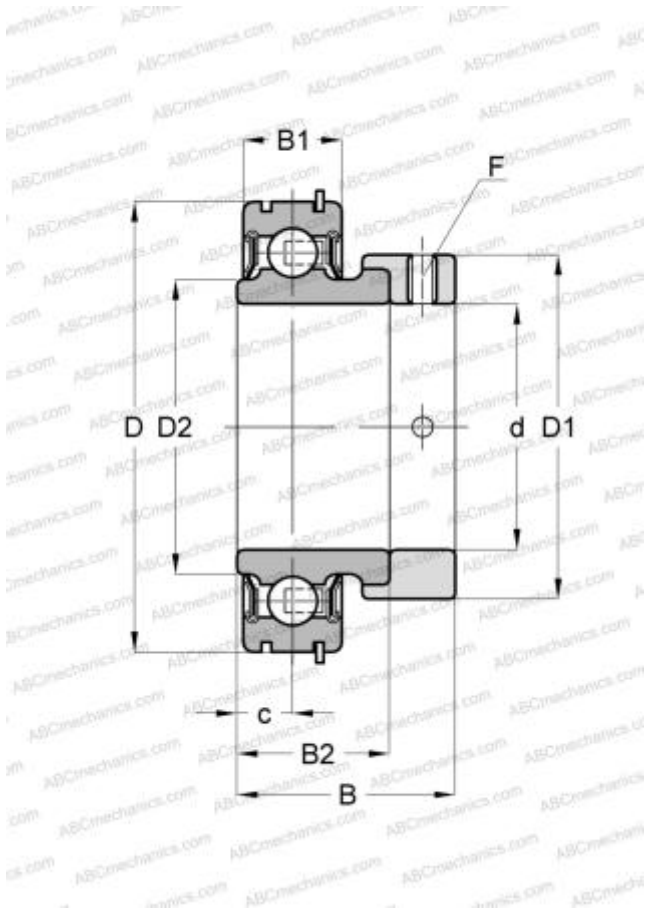


## RAE25-NPP-NR INA

Insert bearings

TYPE: Ball bearings, Radial insert bearings, With eccentric locking collar, Cylindrical outer ring, snap ring, Seals on both side, with inner ring extended at one side



### Technical specification

#### DIMENSIONS, MM

d	25,000
D	52,000
D1	37,500
D2	30,500
B	31,000
B1	15,000
B2	21,400
c	7,500
F	3

#### MANUFACTURER

[INA](#)

#### INTERCHANGE

ABC	<a href="#">CES205</a>
SNR	<a href="#">CES205</a>

#### CALCULATION DATA

Basic dynamic load rating, C	14,000 kN
Basic static load rating, Co	7,800 kN
Operating temperature min	-20 °C
Operating temperature max	120 °C

#### REPLACES

RAE25-XL-NPP-NR