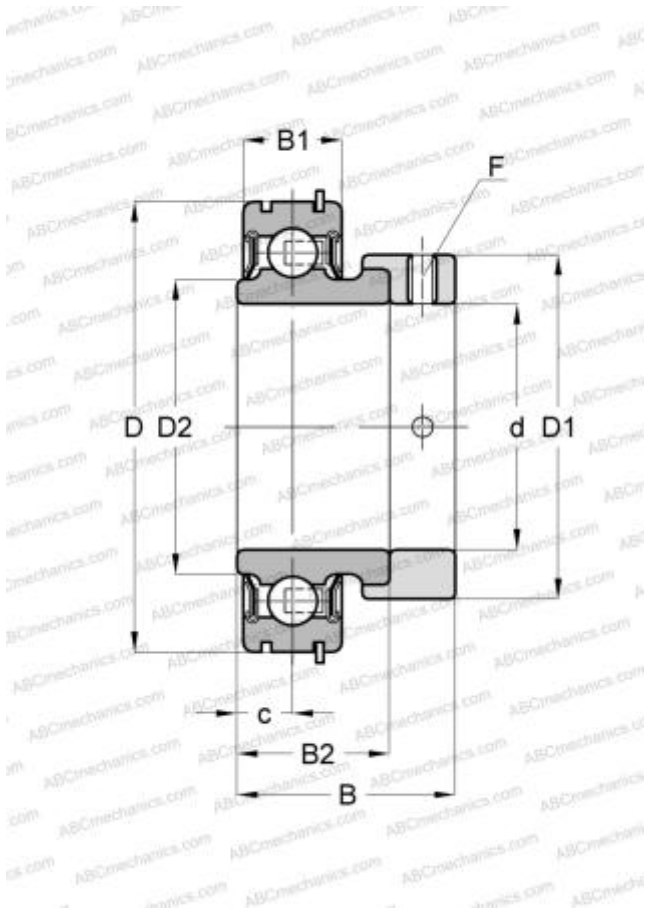


## CES206 SNR

Insert bearings

TYPE: Ball bearings, Radial insert bearings, With eccentric locking collar, Cylindrical outer ring, snap ring, Seals on both side, with inner ring extended at one side



### Technical specification

#### DIMENSIONS, MM

d	30,000
D	62,000
D1	44,500
B	35,700
B1	16,000
B2	23,800
c	8,000
F	M6x1

#### MANUFACTURER

[SNR](#)

#### INTERCHANGE

ABC	<a href="#">CES206</a>
INA	<a href="#">RAE30-NPP-NR</a>

#### CALCULATION DATA

Basic dynamic load rating, C	19,500 kN
Basic static load rating, Co	11,200 kN
Operating temperature min	-20 °C
Operating temperature max	110 °C