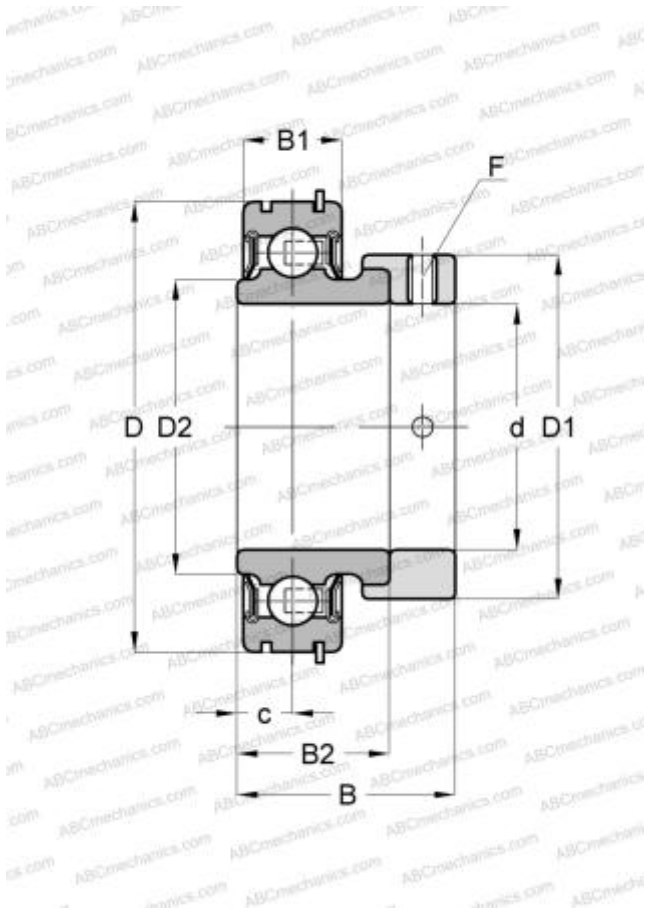


CES207 SNR

Insert bearings

TYPE: Ball bearings, Radial insert bearings, With eccentric locking collar, Cylindrical outer ring, snap ring, Seals on both side, with inner ring extended at one side



Technical specification

DIMENSIONS, MM

d	35,000
D	72,000
D1	55,600
B	38,900
B1	17,000
B2	25,400
c	8,500
F	M8x1

MANUFACTURER

[SNR](#)

INTERCHANGE

ABC	CES207
INA	RAE35-NPP-NR

CALCULATION DATA

Basic dynamic load rating, C	25,700 kN
Basic static load rating, Co	15,200 kN
Operating temperature min	-20 °C
Operating temperature max	110 °C