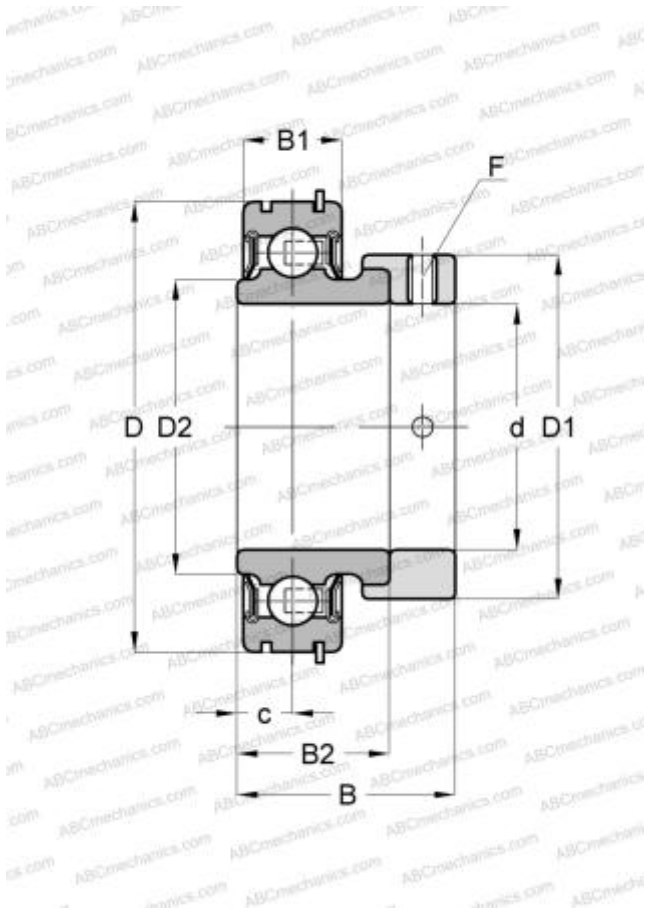


CES206-18 SNR

Insert bearings

TYPE: Ball bearings, Radial insert bearings, With eccentric locking collar, Cylindrical outer ring, snap ring, Seals on both side, with inner ring extended at one side, inch size



Technical specification

DIMENSIONS, MM

d	28,575
D	62,000
D1	44,500
B	35,700
B1	16,000
B2	23,800
c	8,000
F	5/16-24UNF

MANUFACTURER

[SNR](#)

INTERCHANGE

ABC

[CES206-18](#)

CALCULATION DATA

Basic dynamic load rating, C	19,500 kN
Basic static load rating, Co	11,200 kN
Operating temperature min	-20 °C
Operating temperature max	110 °C