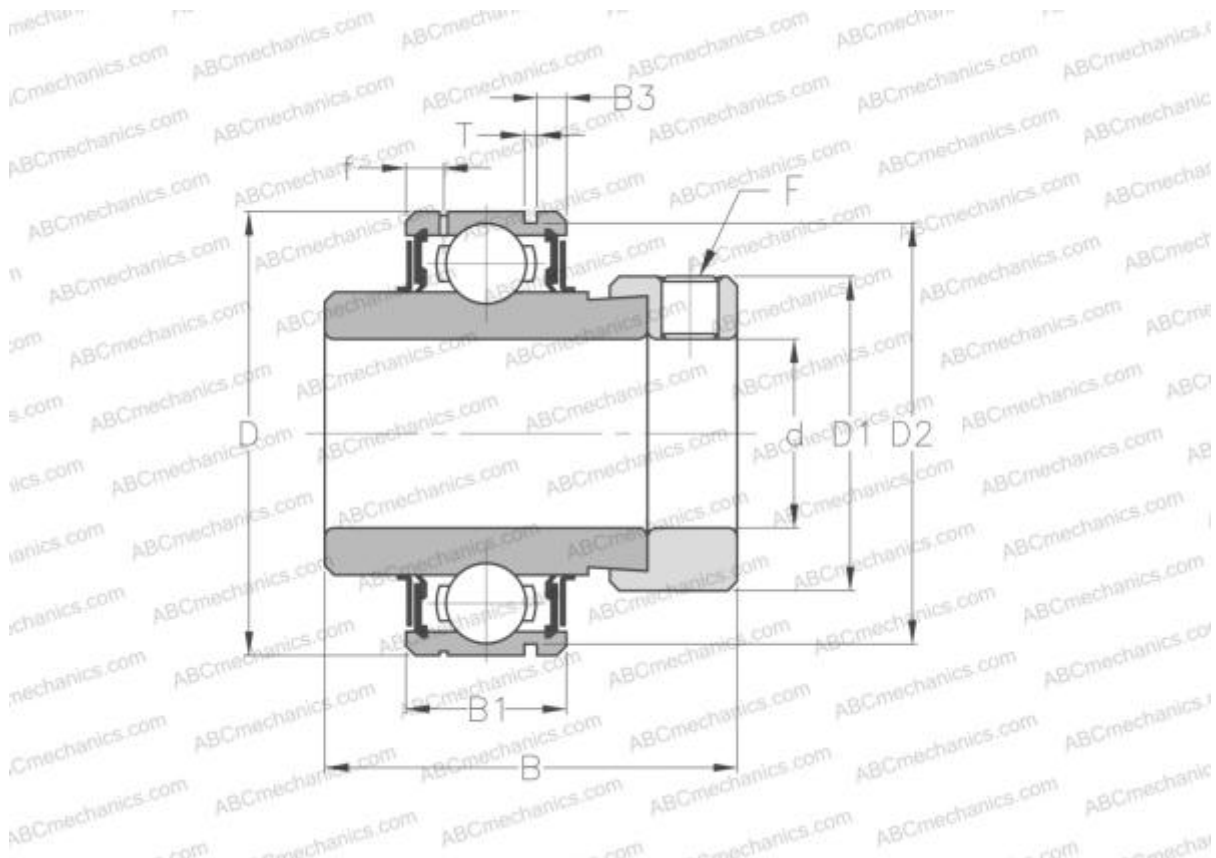


CEX204 ABC

Insert bearings

TYPE: Ball bearings, Radial insert bearings, With eccentric locking collar, Cylindrical outer ring, snap ring, Seals on both side, relubrication



Technical specification

DIMENSIONS, MM

d	20,000
D	47,000
D1	33,300
B	43,700
B1	17,000
B2	34,200
c	17,100
F	M6x1

MANUFACTURER [ABC](#)

INTERCHANGE

SNR [CEX204](#)