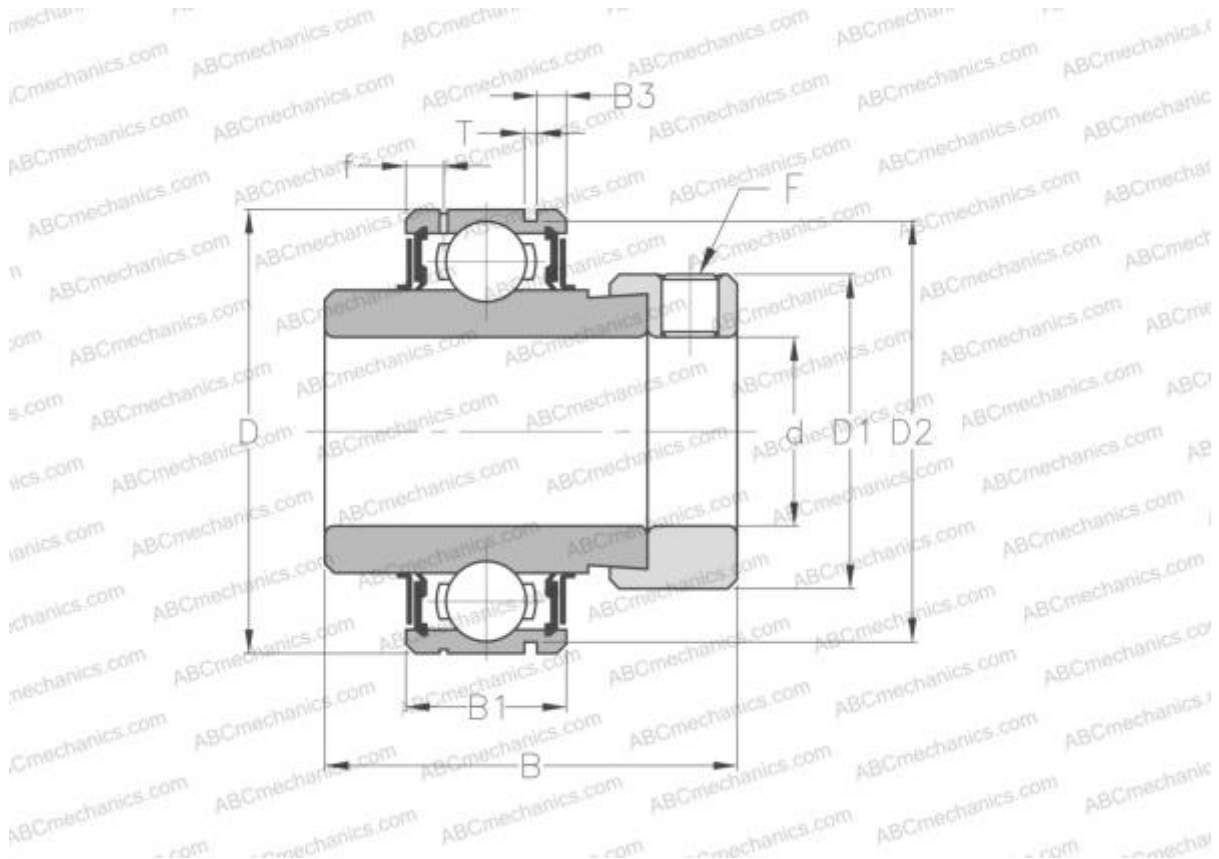


## CEX206 SNR

Insert bearings

TYPE: Ball bearings, Radial insert bearings, With eccentric locking collar, Cylindrical outer ring, snap ring, Seals on both side, relubrication



### Technical specification

#### DIMENSIONS, MM

d	30,000
D	62,000
D1	44,500
B	48,400
B1	19,000
B2	36,500
c	18,300
F	M6x1

#### CALCULATION DATA

Operating temperature min	-20 °C
Operating temperature max	110 °C

#### MANUFACTURER

[SNR](#)

#### INTERCHANGE

ABC	<a href="#">CEX206</a>
-----	------------------------

#### CALCULATION DATA

Basic dynamic load rating, C	19,500 kN
Basic static load rating, Co	11,200 kN