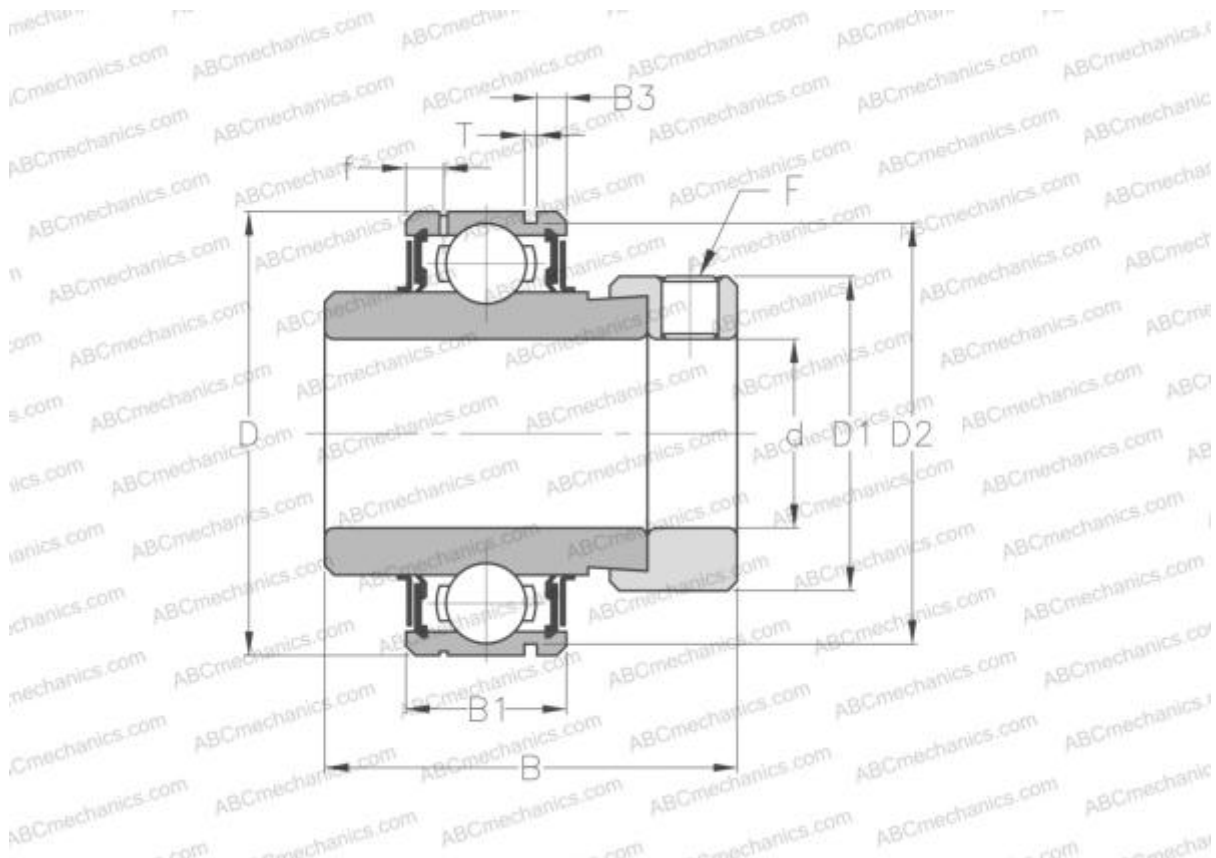


## CEX207 ABC

Insert bearings

TYPE: Ball bearings, Radial insert bearings, With eccentric locking collar, Cylindrical outer ring, snap ring, Seals on both side, relubrication



### Technical specification

#### DIMENSIONS, MM

d	35,000
D	72,000
D1	55,500
B	51,100
B1	20,000
B2	37,600
c	18,800
F	M8x1

**MANUFACTURER** [ABC](#)

#### INTERCHANGE

SNR [CEX207](#)