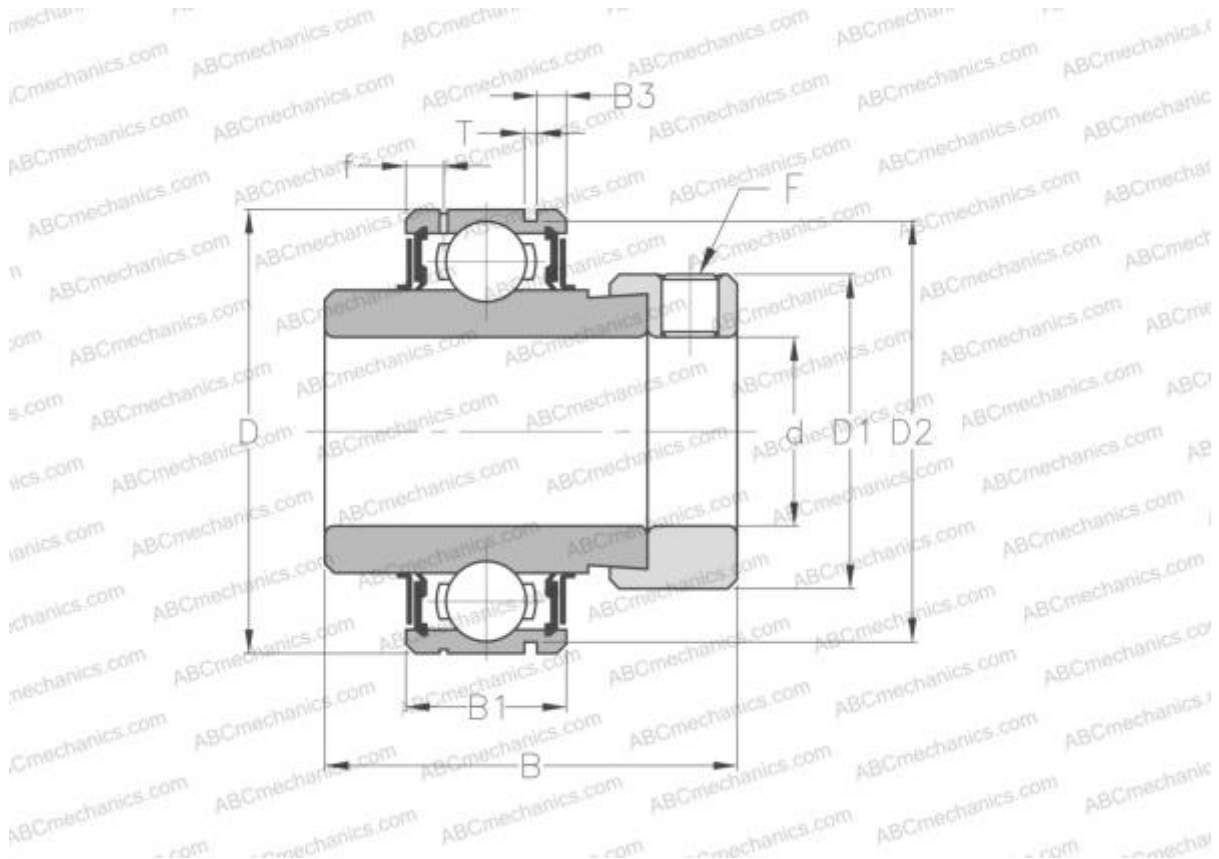


CEX208 SNR

Insert bearings

TYPE: Ball bearings, Radial insert bearings, With eccentric locking collar, Cylindrical outer ring, snap ring, Seals on both side, relubrication



Technical specification

DIMENSIONS, MM

d	40,000
D	80,000
D1	60,300
B	56,300
B1	21,000
B2	42,800
c	21,400
F	M8x1

CALCULATION DATA

Operating temperature min	-20 °C
Operating temperature max	110 °C

MANUFACTURER

[SNR](#)

INTERCHANGE

ABC	CEX208
-----	------------------------

CALCULATION DATA

Basic dynamic load rating, C	29,600 kN
Basic static load rating, Co	18,200 kN