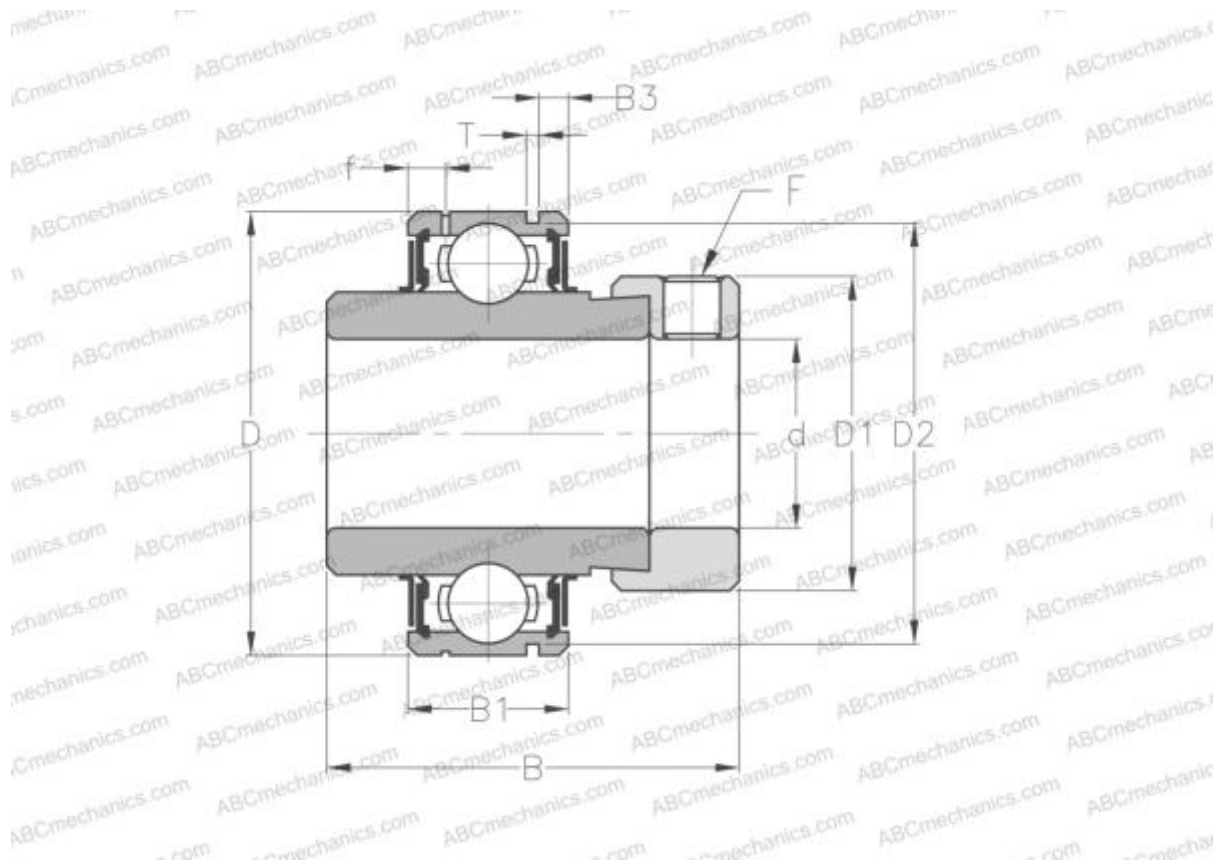


## CEX206-18 ABC

Insert bearings

TYPE: Ball bearings, Radial insert bearings, With eccentric locking collar, Cylindrical outer ring, snap ring, Seals on both side, relubrication, inch size



### Technical specification

#### DIMENSIONS, MM

d	28,575
D	62,000
D1	44,500
B	48,400
B1	19,000
B2	36,500
c	18,300
F	5/16-24UNF

**MANUFACTURER** [ABC](#)

#### INTERCHANGE

SNR [CEX206-18](#)