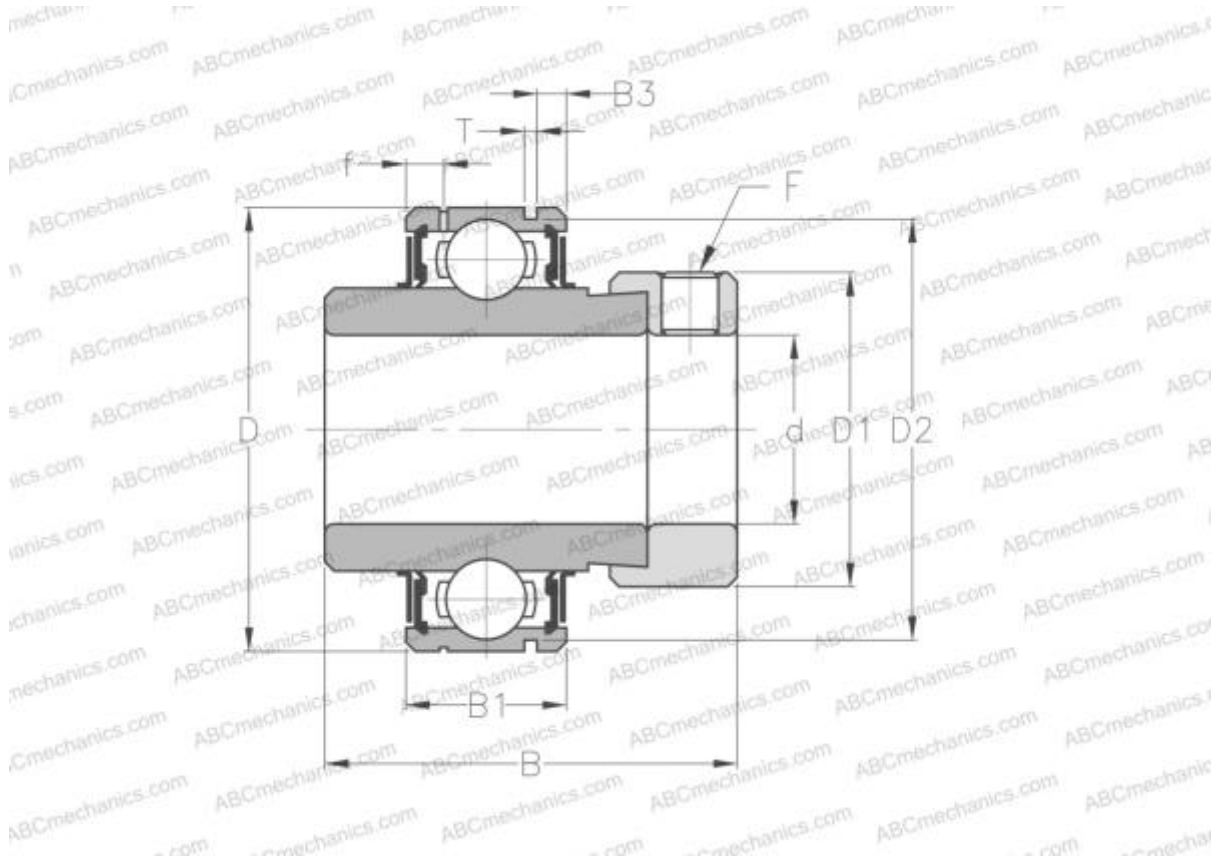


CEX206-18 SNR

Insert bearings

TYPE: Ball bearings, Radial insert bearings, With eccentric locking collar, Cylindrical outer ring, snap ring, Seals on both side, relubrication, inch size



Technical specification

DIMENSIONS, MM

d	28,575
D	62,000
D1	44,500
B	48,400
B1	19,000
B2	36,500
c	18,300
F	5/16-24UNF

CALCULATION DATA

Operating temperature min	-20 °C
Operating temperature max	110 °C

MANUFACTURER

[SNR](#)

INTERCHANGE

ABC	CEX206-18
-----	---------------------------

CALCULATION DATA

Basic dynamic load rating, C	19,500 kN
Basic static load rating, Co	11,200 kN