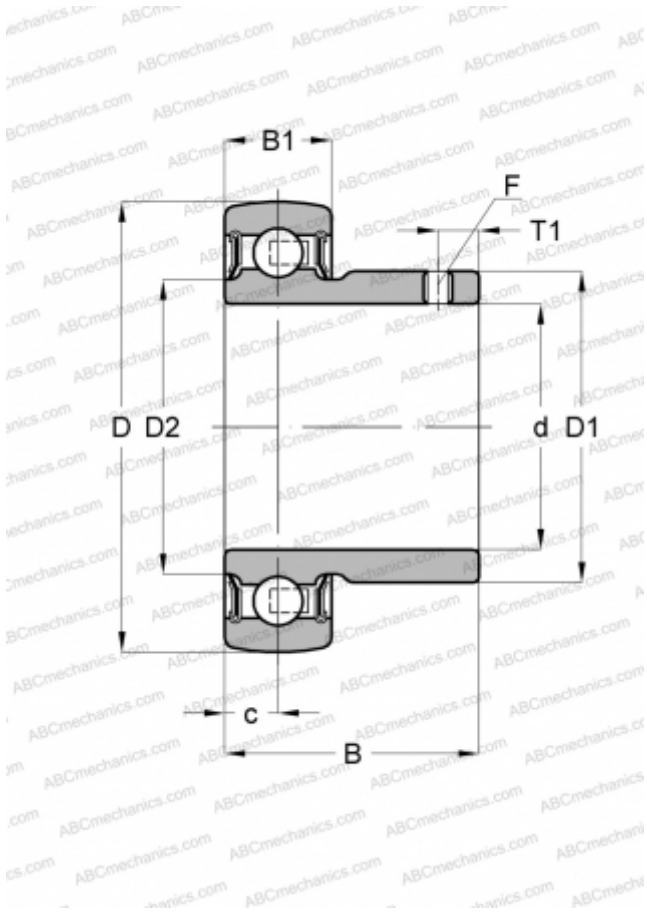


AY20-NPP-B INA

Insert bearings

TYPE: Ball bearings, Radial insert bearings, Grub screw to inner ring, Spherical outer ring, Seals on both side, P seal, without re-lubrication



Technical specification

DIMENSIONS, MM

d	20,000
D	47,000
D1	28,300
D2	26,700
B	25,000
B1	14,000
c	7,000
T1	4,500
F	2.5

MANUFACTURER

[INA](#)

CALCULATION DATA

Basic dynamic load rating, C	12,800 kN
Basic static load rating, Co	6,600 kN
Operating temperature min	-20 °C
Operating temperature max	120 °C

REPLACES

AY20-XL-NPP-B