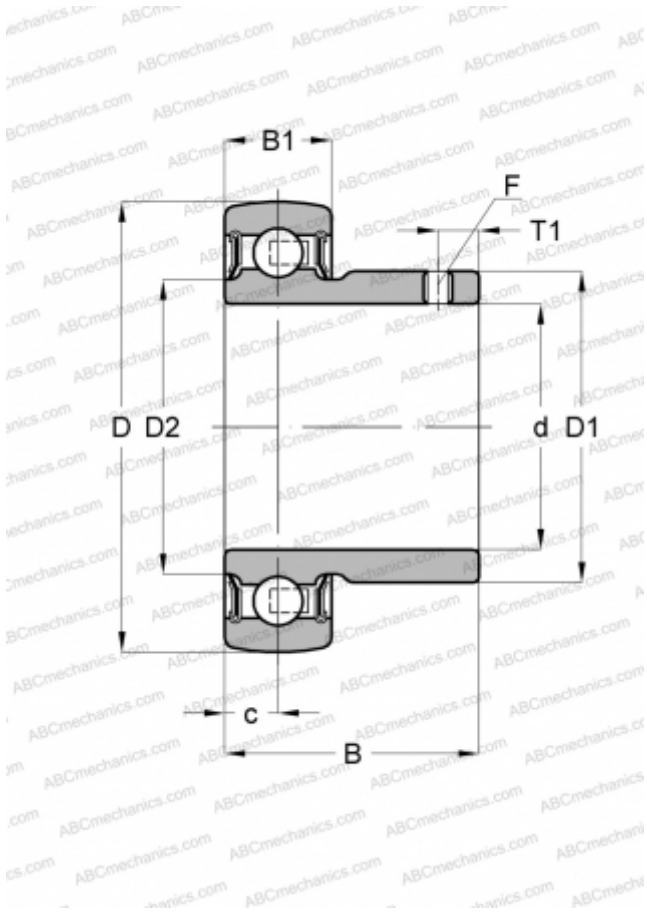


AY30-NPP-B INA

Insert bearings

TYPE: Ball bearings, Radial insert bearings, Grub screw to inner ring, Spherical outer ring, Seals on both side, P seal, without re-lubrication



Technical specification

DIMENSIONS, MM

d	30,000
D	62,000
D1	39,400
D2	37,300
B	30,000
B1	18,000
c	9,000
T1	5,800
F	3

MANUFACTURER

[INA](#)

CALCULATION DATA

Basic dynamic load rating, C	19,500 kN
Basic static load rating, Co	11,300 kN
Operating temperature min	-20 °C
Operating temperature max	120 °C

REPLACES

AY30-XL-NPP-B