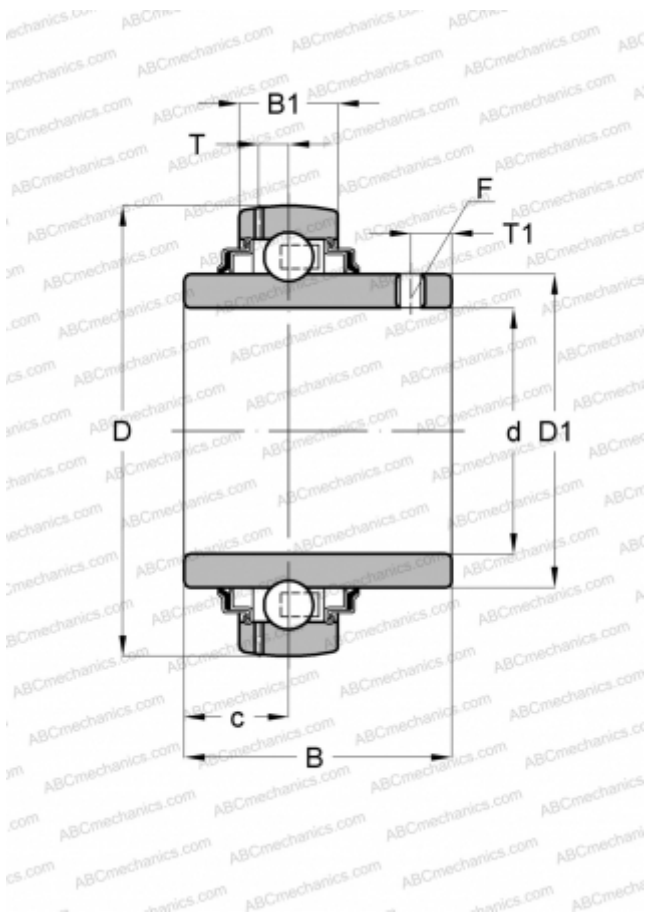


UC307G2 SNR

Insert bearings

TYPE: Ball bearings, Radial insert bearings, Grub screw to inner ring, Spherical outer ring, Seals on both side, R seal, relubrication



Technical specification

DIMENSIONS, MM

d	35,000
D	80,000
D1	48,900
B	48,000
B1	25,000
c	19,000
T	7,200
T1	19,000
F	M8x1

MANUFACTURER

[SNR](#)

INTERCHANGE

ABC	UC 307
ASAHI	UC 307
SLB	UC 307
FYH	UC307
NTN	UC 307 D1

CALCULATION DATA

Basic dynamic load rating, C	33,500 kN
Basic static load rating, Co	19,200 kN
Operating temperature min	-20 °C
Operating temperature max	110 °C