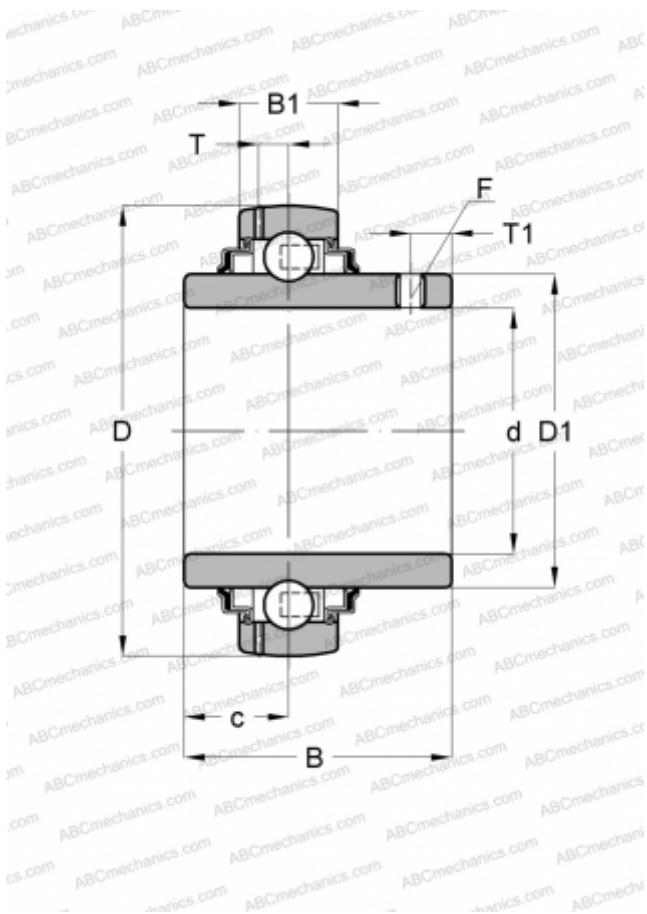


## UC308G2 SNR

Insert bearings

TYPE: Ball bearings, Radial insert bearings, Grub screw to inner ring, Spherical outer ring, Seals on both side, R seal, relubrication



### Technical specification

#### DIMENSIONS, MM

d	40,000
D	90,000
D1	56,500
B	52,000
B1	28,000
c	19,000
T	8,500
T1	19,000
F	M10x1.25

#### MANUFACTURER

[SNR](#)

#### INTERCHANGE

ABC	<a href="#">UC 308</a>
ASAHI	<a href="#">UC 308</a>
SLB	<a href="#">UC 308</a>
FYH	<a href="#">UC308</a>
NTN	<a href="#">UC 308 D1</a>

#### CALCULATION DATA

Basic dynamic load rating, C	40,560 kN
Basic static load rating, Co	24,000 kN
Operating temperature min	-20 °C
Operating temperature max	110 °C