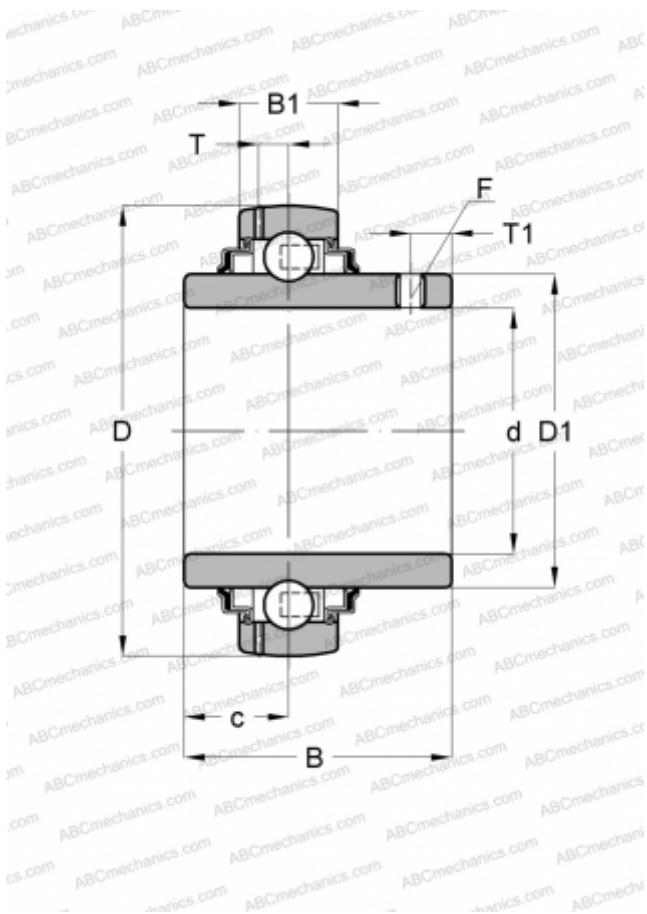


UC212G2 SNR

Insert bearings

TYPE: Ball bearings, Radial insert bearings, Grub screw to inner ring, Spherical outer ring, Seals on both side, R seal, relubrication



Technical specification

DIMENSIONS, MM

d	60,000
D	110,000
D1	74,900
B	65,100
B1	27,000
c	25,400
T	8,200
T1	10,500
F	M10x1.25

MANUFACTURER

[SNR](#)

INTERCHANGE

ABC	UC 212
INA	GYE60-KRR-B
SKF	YAR 212-2F
ASAHI	UC 212
FKL	LE 212 2F
SLB	UC 212
FYH	UC 212
NTN	UC 212 D1

CALCULATION DATA

Basic dynamic load rating, C	52,500 kN
Basic static load rating, Co	32,800 kN
Operating temperature min	-20 °C
Operating temperature max	110 °C