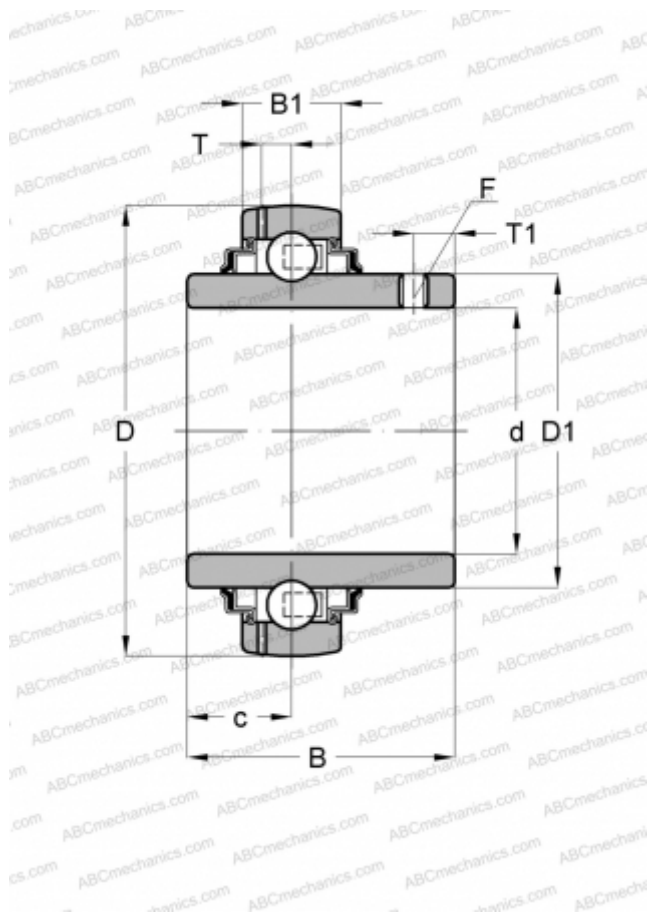


## UC213G2 SNR

Insert bearings

TYPE: Ball bearings, Radial insert bearings, Grub screw to inner ring, Spherical outer ring, Seals on both side, R seal, relubrication



### Technical specification

#### DIMENSIONS, MM

d	65,000
D	120,000
D1	82,000
B	65,100
B1	28,000
c	25,400
T	8,000
T1	12,000
F	M12x1.25

#### MANUFACTURER

[SNR](#)

#### INTERCHANGE

ABC	<a href="#">UC 213</a>
SKF	<a href="#">YAR 213-2F</a>
ASAHI	<a href="#">UC 213</a>
FAG	<a href="#">56213</a>
FKL	<a href="#">LE 213 2F</a>
SLB	<a href="#">UC 213</a>
FYH	<a href="#">UC 213</a>
NTN	<a href="#">UC 213 D1</a>

#### CALCULATION DATA

Basic dynamic load rating, C	57,200 kN
Basic static load rating, Co	40,000 kN
Operating temperature min	-20 °C
Operating temperature max	110 °C