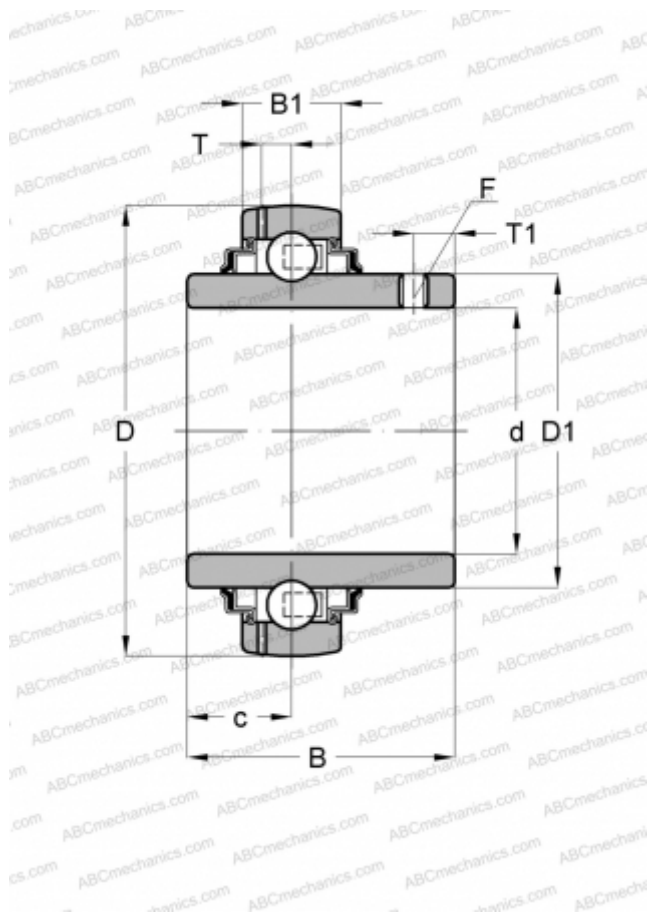


UC313G2 SNR

Insert bearings

TYPE: Ball bearings, Radial insert bearings, Grub screw to inner ring, Spherical outer ring, Seals on both side, R seal, relubrication



Technical specification

DIMENSIONS, MM

d	65,000
D	140,000
D1	87,500
B	75,000
B1	38,000
c	30,000
T	12,100
T1	30,000
F	M12x1.25

MANUFACTURER

[SNR](#)

INTERCHANGE

ABC	UC 313
ASAHI	UC 313
SLB	UC 313
FYH	UC313
NTN	UC 313 D1

CALCULATION DATA

Basic dynamic load rating, C	93,860 kN
Basic static load rating, Co	60,500 kN
Operating temperature min	-20 °C
Operating temperature max	110 °C