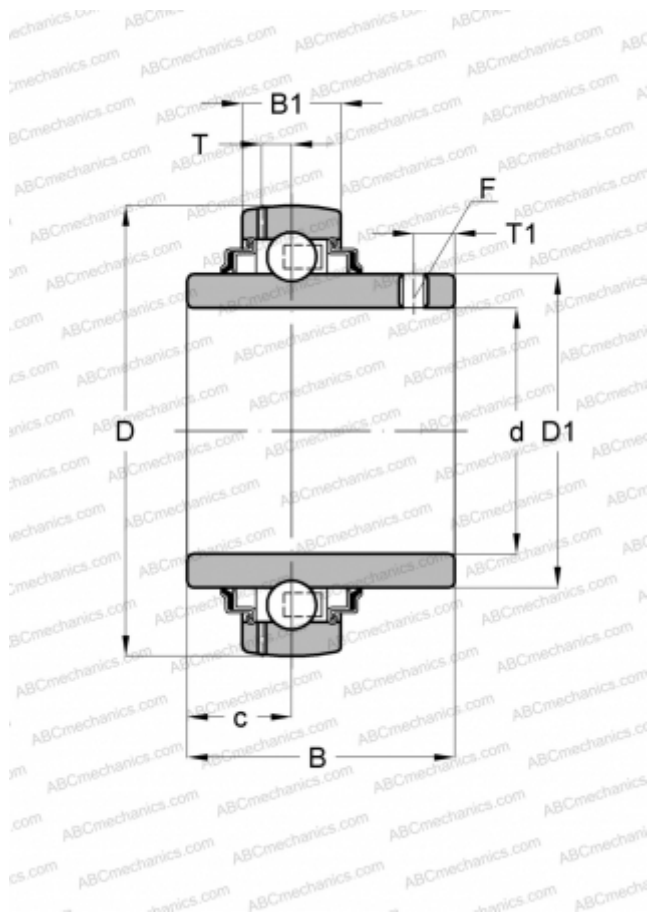


## UC215G2 SNR

Insert bearings

TYPE: Ball bearings, Radial insert bearings, Grub screw to inner ring, Spherical outer ring, Seals on both side, R seal, relubrication



### Technical specification

#### DIMENSIONS, MM

d	75,000
D	130,000
D1	91,500
B	77,800
B1	30,000
c	33,300
T	9,000
T1	12,000
F	M12x1.25

#### MANUFACTURER

[SNR](#)

#### INTERCHANGE

ABC	<a href="#">UC 215</a>
INA	<a href="#">GYE75-KRR-B</a>
SKF	<a href="#">YAR 215-2F</a>
ASAHI	<a href="#">UC 215</a>
FAG	<a href="#">56215</a>
FKL	<a href="#">LE 215 2F</a>
SLB	<a href="#">UC 215</a>
FYH	<a href="#">UC 215</a>
NTN	<a href="#">UC 215 D1</a>

#### CALCULATION DATA

Basic dynamic load rating, C	66,000 kN
Basic static load rating, Co	49,500 kN
Operating temperature min	-20 °C
Operating temperature max	110 °C