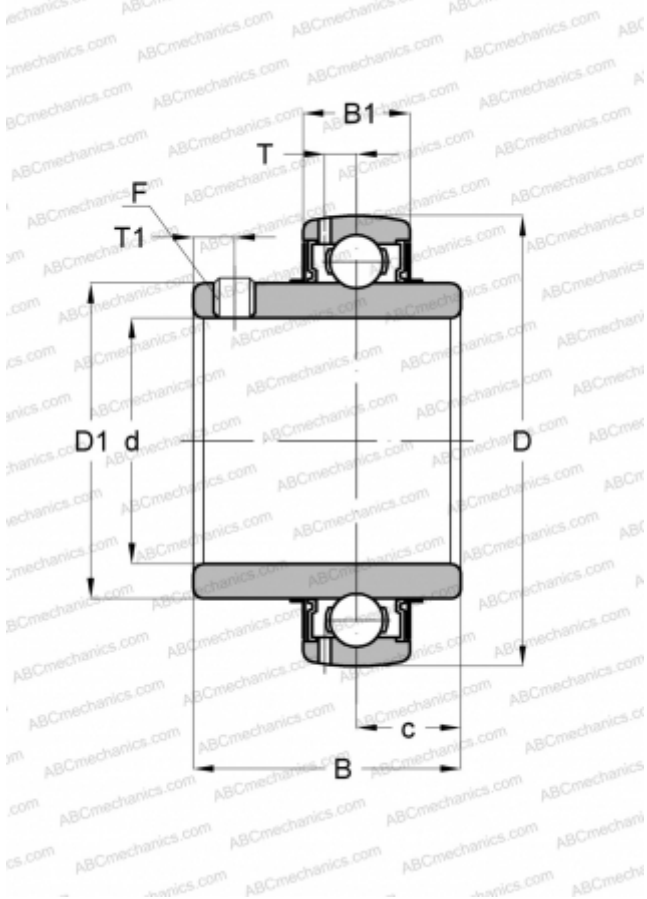


## UC205-15G2 SNR

Insert bearings

TYPE: Ball bearings, Radial insert bearings, Grub screw to inner ring, Spherical outer ring, Seals on both side, R seal, relubrication, inch size



### Technical specification

#### DIMENSIONS, MM

d	23,812
D	52,000
D1	34,000
B	34,000
B1	17,000
c	14,300
T	4,300
T1	5,500
F	1/4-28UNF

#### MANUFACTURER

[SNR](#)

#### INTERCHANGE

ABC	<a href="#">UC 205-15</a>
ASAHI	<a href="#">UC 205-15</a>
SKF	<a href="#">YAR 205-015-2F</a>
SLB	<a href="#">UC 205-15</a>
FYH	<a href="#">UC 205-15</a>
NTN	<a href="#">UC 205-015 D1</a>

#### CALCULATION DATA

Basic dynamic load rating, C	14,000 kN
Basic static load rating, Co	7,880 kN
Operating temperature min	-20 °C
Operating temperature max	110 °C