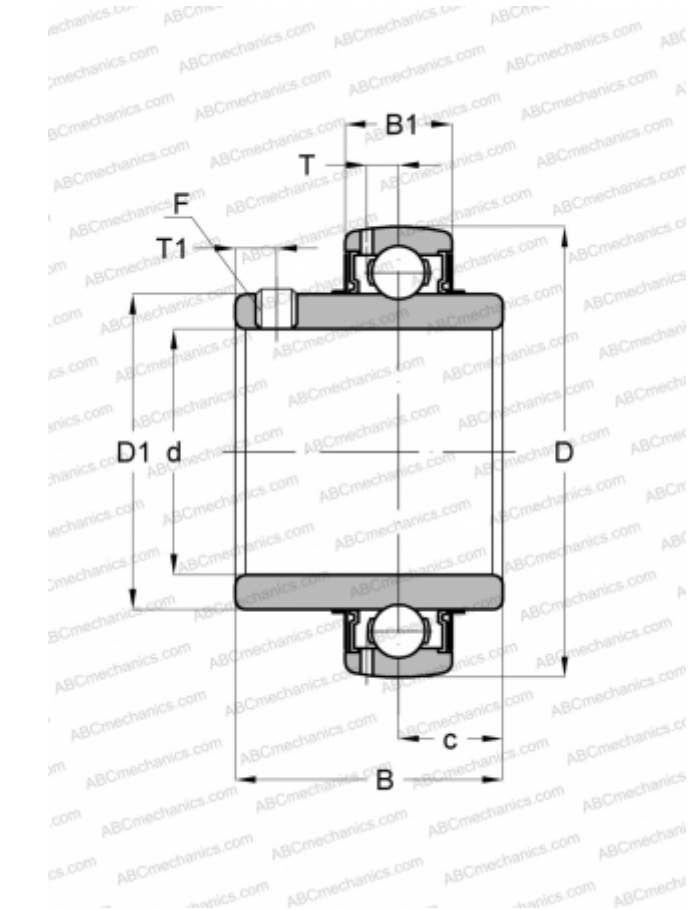


UC208-24G2 SNR

Insert bearings

TYPE: Ball bearings, Radial insert bearings, Grub screw to inner ring, Spherical outer ring, Seals on both side, R seal, relubrication, inch size



DIMENSIONS, MM

| | |
|----|--------|
| d | 38,100 |
| D | 80,000 |
| D1 | 53,000 |
| B | 49,200 |
| B1 | 21,000 |
| c | 19,000 |
| T | 6,300 |
| T1 | 8,000 |

DIMENSIONS, MM

| | |
|---|------------|
| F | 5/16-24UNF |
|---|------------|

MANUFACTURER

[SNR](#)

INTERCHANGE

| | |
|------------|------------------------------------|
| ABC | UC 208-24 |
| ASAHI | UC 208-24 |
| INA | GY1108-KRR-B-AS2/V |
| SKF | YAR 208-108-2F |
| IPTCI | UC208-24 |
| AMI | UC208-24 |
| BROWNING | VS-224 |
| DODGE | INS-SC-108 |
| FAFNIR | Y1108KRRB |
| HUB-CITY | YW250-1-1/2 |
| LINK-BELT | UG224NL |
| PEER | UC208-24 |
| SEALMASTER | 2-18 |
| FKL | LE 208-108.2F.Y |
| SLB | UC208-24 |
| FYH | UC 208-24 |
| NTN | UC 208-108 D1 |

CALCULATION DATA

| | |
|------------------------------|-----------|
| Basic dynamic load rating, C | 29,600 kN |
| Basic static load rating, Co | 18,200 kN |
| Operating temperature min | -20 °C |
| Operating temperature max | 110 °C |