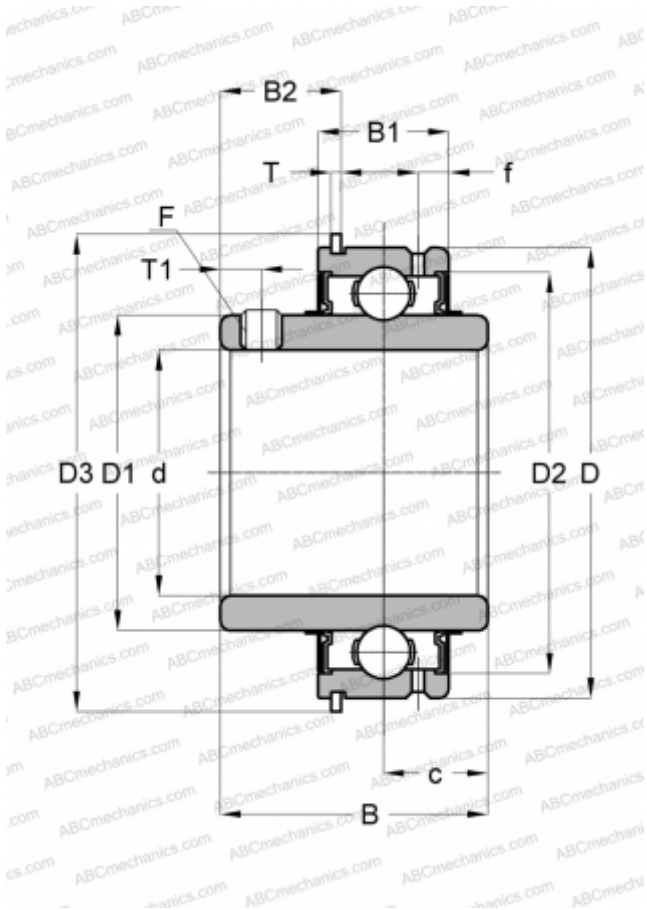


CUC204 SNR

Insert bearings

TYPE: Ball bearings, Radial insert bearings, Grub screw to inner ring, Cylindrical outer ring, snap ring, Seals on both side, relubrication



Technical specification

DIMENSIONS, MM

d	20,000
D	47,000
D1	29,000
B	31,000
B1	17,000
f	4,000
c	12,700
T	1,350
T1	4,500
F	M6 x 1

MANUFACTURER

[SNR](#)

INTERCHANGE

ABC [SER 204](#)

ASAHI [SER 204](#)

CALCULATION DATA

Basic dynamic load rating, C	12,800 kN
Basic static load rating, Co	6,650 kN
Operating temperature min	-20 °C
Operating temperature max	110 °C