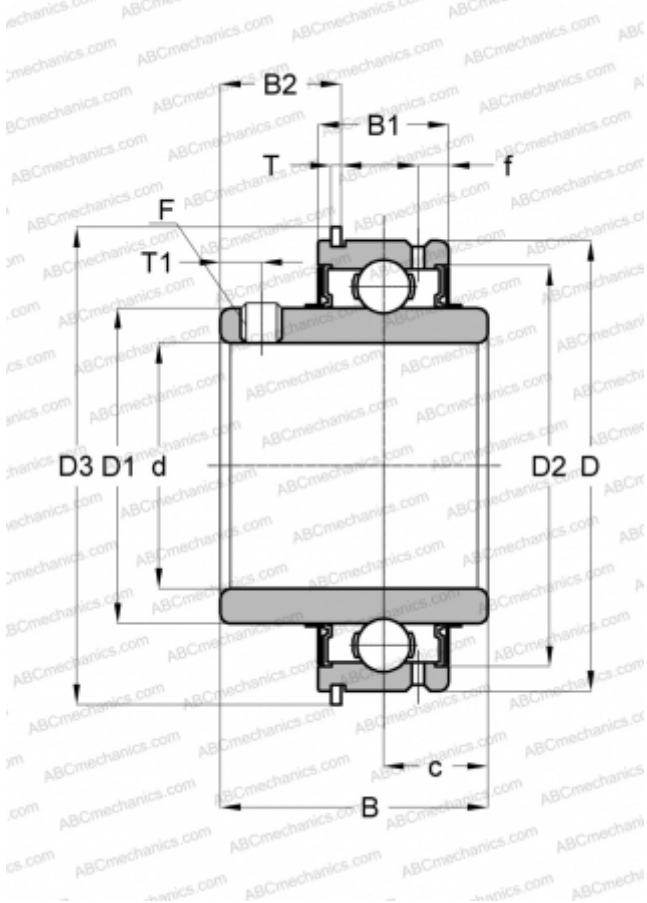


SER 201-8 ABC

Insert bearings

TYPE: Ball bearings, Radial insert bearings, Grub screw to inner ring, Cylindrical outer ring, snap ring, Seals on both side, relubrication, inch size



Technical specification

DIMENSIONS, MM

| | |
|----|--------|
| d | 12,700 |
| D | 47,000 |
| D1 | 29,007 |
| D2 | 40,996 |
| D3 | 52,705 |
| B | 30,958 |
| B1 | 15,875 |
| B2 | 16,154 |
| f | 3,810 |
| c | 10,320 |
| T | 1,067 |
| T1 | 4,496 |
| F | 1/4-28 |

MANUFACTURER

[ABC](#)

INTERCHANGE

ASAHI

[SER 201-8](#)