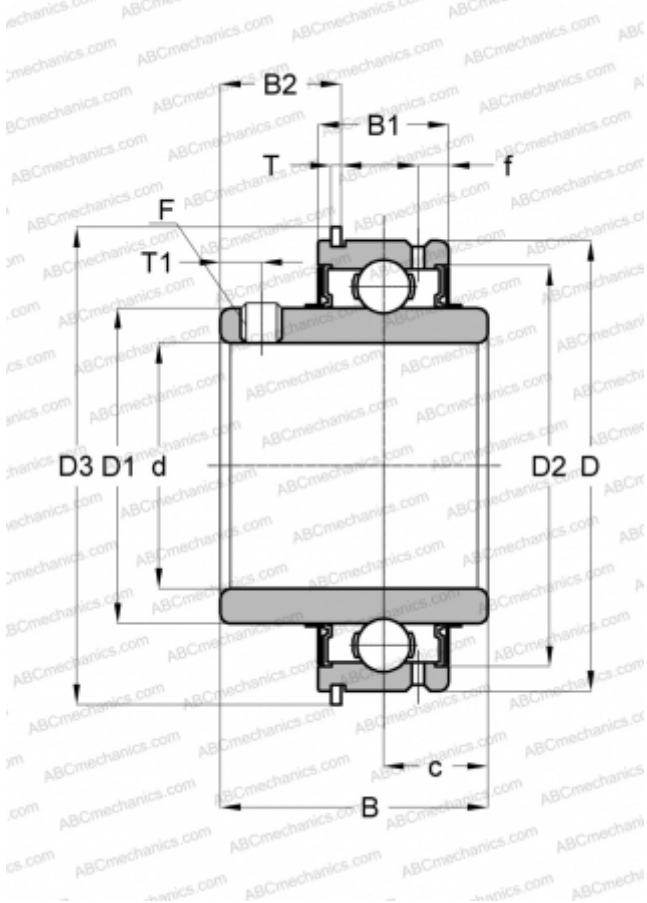


SER 204-12 ABC

Insert bearings

TYPE: Ball bearings, Radial insert bearings, Grub screw to inner ring, Cylindrical outer ring, snap ring, Seals on both side, relubrication, inch size



Technical specification

DIMENSIONS, MM

d	19,050
D	47,000
D1	29,007
D2	40,996
D3	52,705
B	30,958
B1	15,875
B2	16,154
f	3,556
c	10,320
T	1,067
T1	4,496
F	1/4-28

MANUFACTURER

[ABC](#)

INTERCHANGE

SNR

[CUC204-12](#)

ASAHI

[SER 204-12](#)