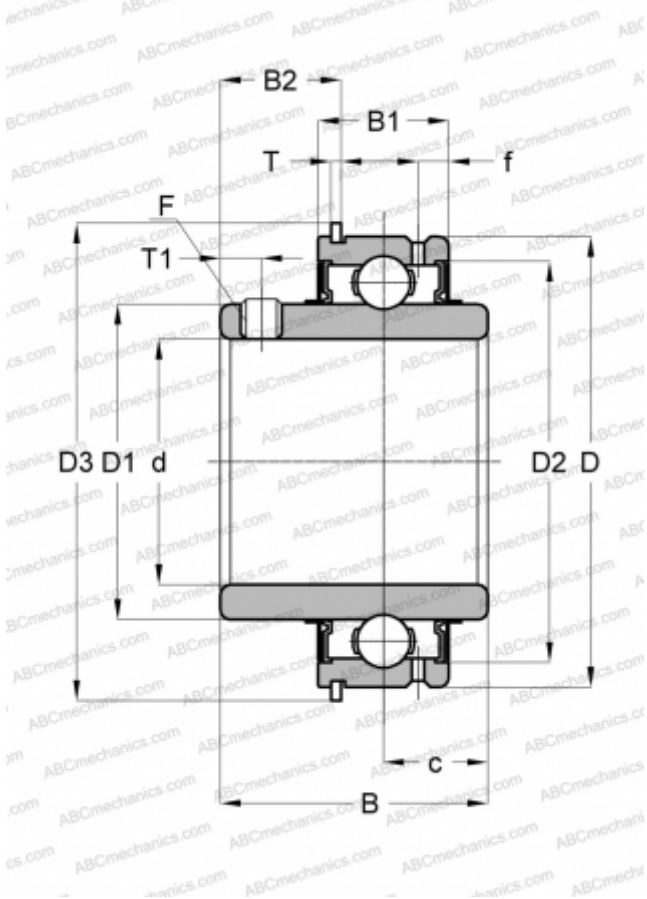


## CUC204-12 SNR

Insert bearings

TYPE: Ball bearings, Radial insert bearings, Grub screw to inner ring, Cylindrical outer ring, snap ring, Seals on both side, relubrication, inch size



### Technical specification

#### DIMENSIONS, MM

d	19,050
D	47,000
D1	29,000
B	31,000
B1	17,000
f	4,000
c	12,700
T	1,350
T1	4,500
F	1/4-28UNF

#### MANUFACTURER

[SNR](#)

#### INTERCHANGE

ABC

[SER 204-12](#)

ASAHI

[SER 204-12](#)

#### CALCULATION DATA

Basic dynamic load rating, C	12,800 kN
Basic static load rating, Co	6,650 kN
Operating temperature min	-20 °C
Operating temperature max	110 °C