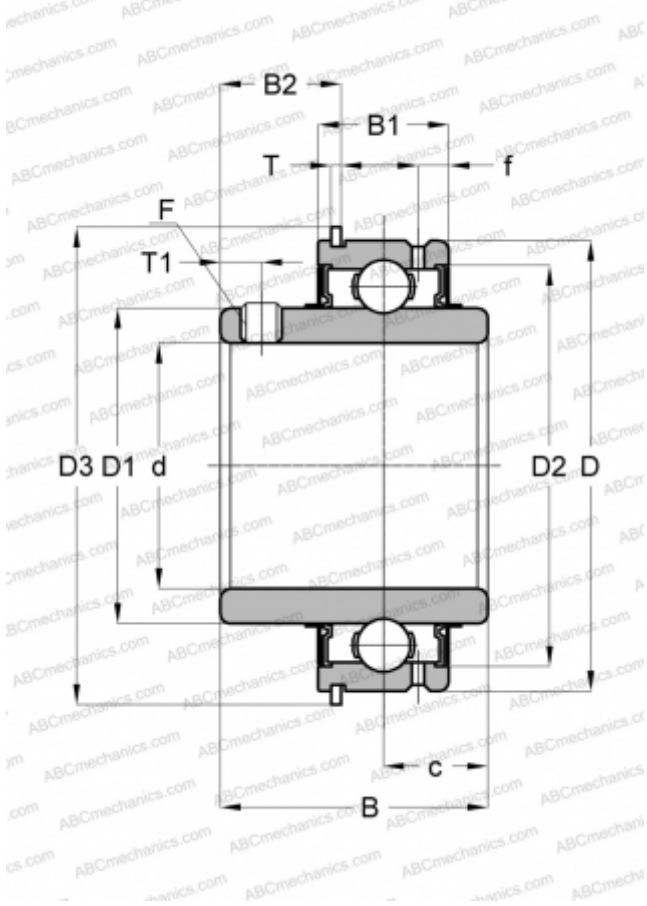


## SER 204-12 ASAHI

Insert bearings

TYPE: Ball bearings, Radial insert bearings, Grub screw to inner ring, Cylindrical outer ring, snap ring, Seals on both side, relubrication, inch size



### Technical specification

#### DIMENSIONS, MM

d	19,050
D	47,000
D1	29,007
D2	40,996
D3	52,705
B	30,958
B1	15,875
B2	16,154
f	3,556
c	10,320
T	1,067
T1	4,496
F	1/4-28

#### MANUFACTURER

[ASAHI](#)

#### INTERCHANGE

ABC	<a href="#">SER 204-12</a>
SNR	<a href="#">CUC204-12</a>