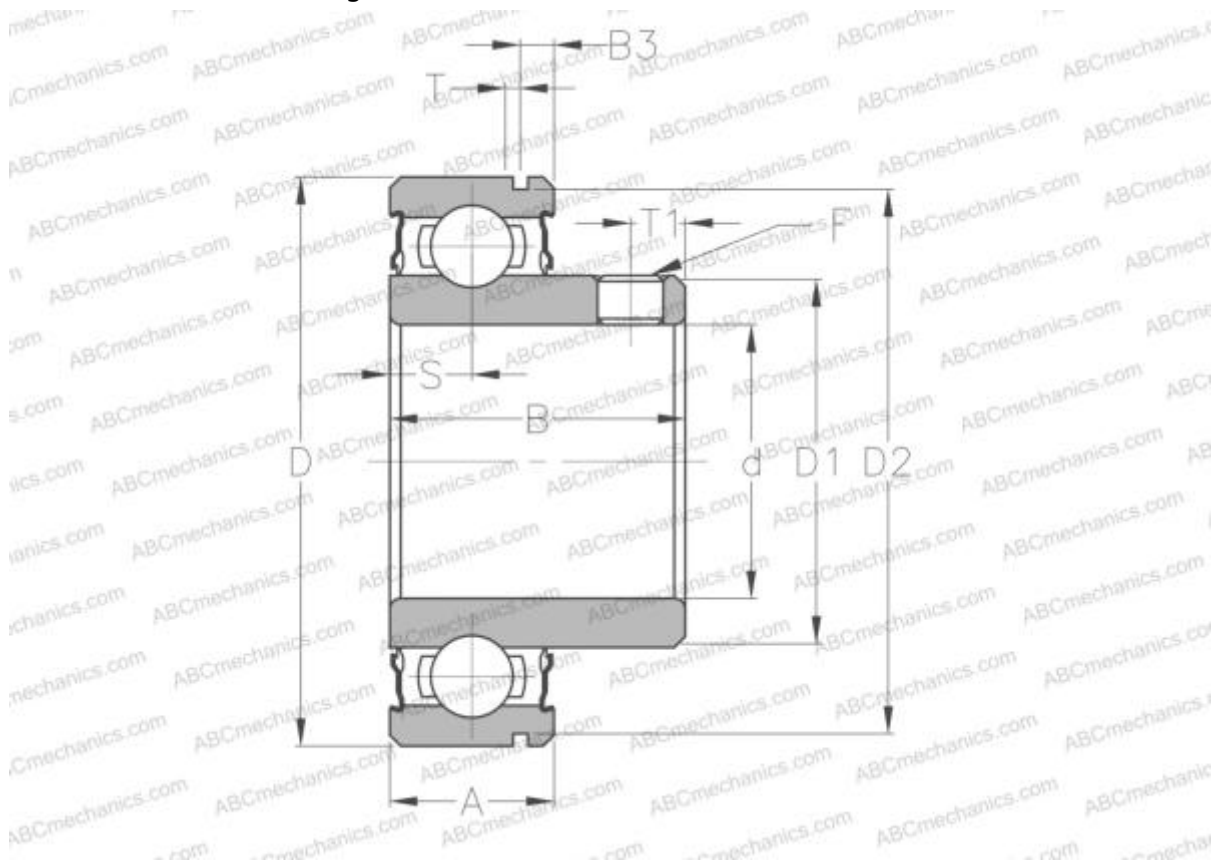


CUS210 SNR

Insert bearings

TYPE: Ball bearings, Radial insert bearings, Grub screw to inner ring, Cylindrical outer ring, snap ring, Seals on both side, with inner ring extended at one side



Technical specification

DIMENSIONS, MM

d	50,000
D	90,000
D1	63,200
B	43,500
B1	20,000
c	10,000
T1	9,000
F	M8 x 1

MANUFACTURER

[SNR](#)

CALCULATION DATA

Basic dynamic load rating, C	35,100 kN
Basic static load rating, Co	23,200 kN
Operating temperature min	-20 °C
Operating temperature max	110 °C