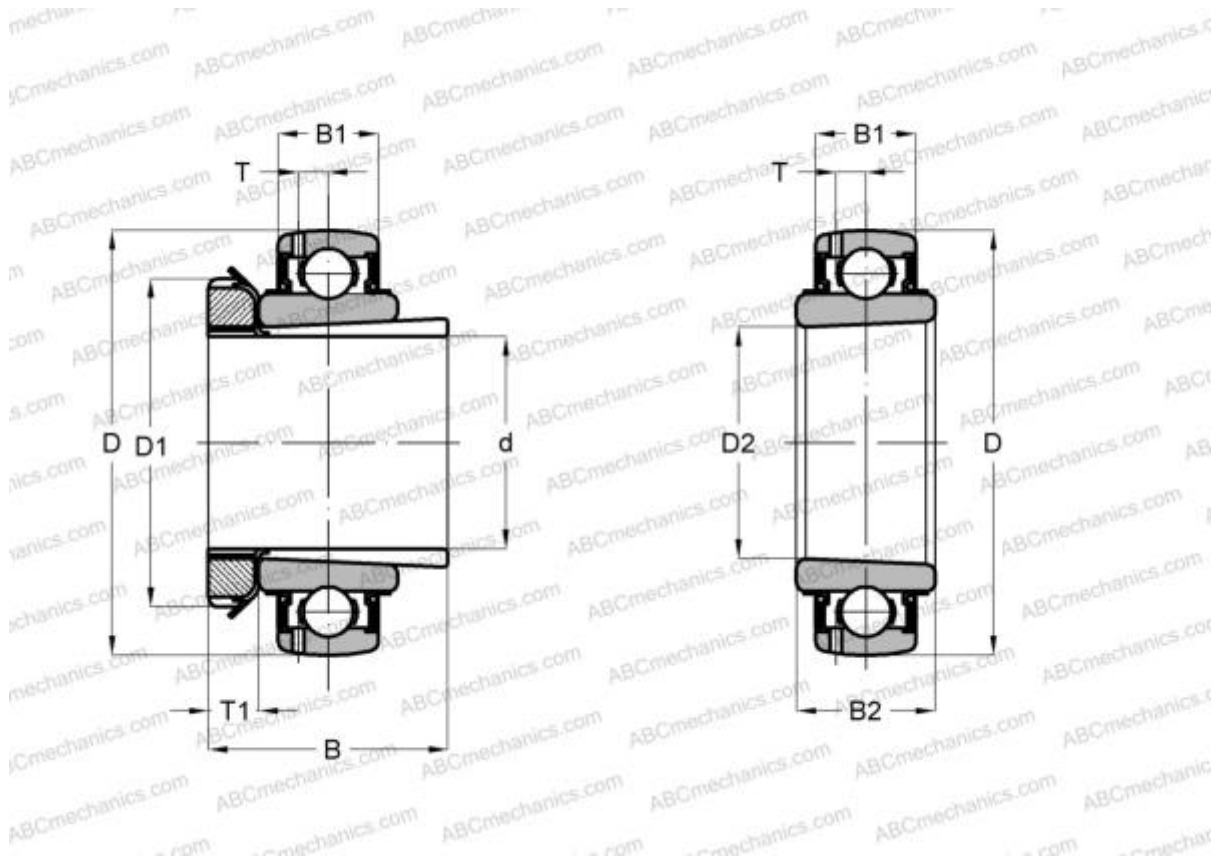


UK305+H SNR

Insert bearings

TYPE: Ball bearings, Radial insert bearings, With adapter sleeve, Spherical outer ring, Seals on both side, RSR seal, relubrication



Technical specification

DIMENSIONS, MM

d	20,000
D	62,000
D1	38,000
D2	35,400
B	35,000
B1	21,000
B2	27,000
T	6,200
T1	8,000

CALCULATION DATA

Basic dynamic load rating, C	22,360 kN
Basic static load rating, Co	11,500 kN
Operating temperature min	-20 °C
Operating temperature max	110 °C

MANUFACTURER

[SNR](#)

INTERCHANGE

ABC	UK 305 + H2305
ASAHI	UK 305 + H2305

INCLUDED PRODUCTS

H2305