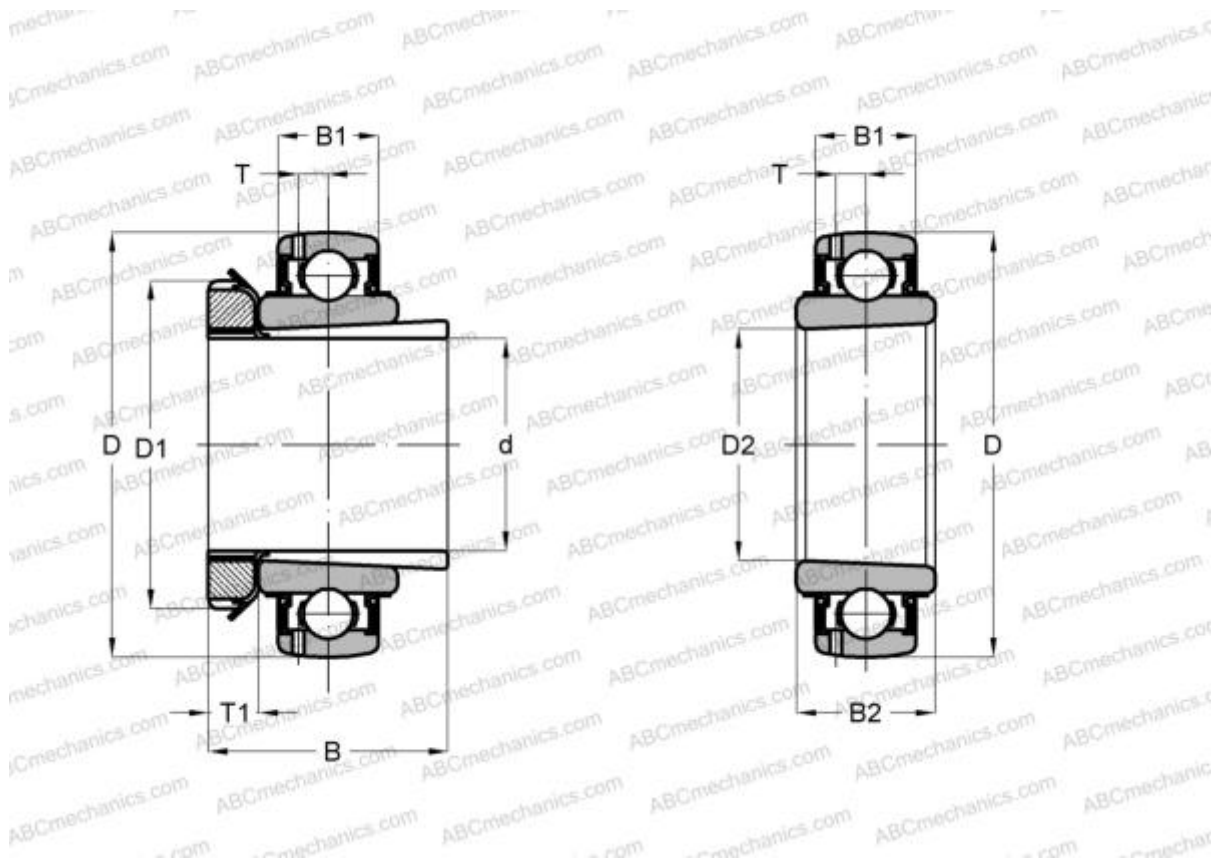


UK211+H SNR

Insert bearings

TYPE: Ball bearings, Radial insert bearings, With adapter sleeve, Spherical outer ring, Seals on both side, RSR seal, relubrication



Technical specification

DIMENSIONS, MM

d	50,000
D	100,000
D1	75,000
D2	55,000
B	59,000
B1	25,000
B2	33,000
T	7,200
T1	12,500

MANUFACTURER

[SNR](#)

INTERCHANGE

ABC	UK 211 + H2311
SKF	YSA 211-2FK
ASAHI	UK 211 + H2311

INTERCHANGE

FKL	LK 211 2F
SLB	UK211
FYH	UK 211
NTN	UK 211 D1

CALCULATION DATA

Basic dynamic load rating, C	43,550 kN
Basic static load rating, Co	29,200 kN
Operating temperature min	-20 °C
Operating temperature max	110 °C



INCLUDED PRODUCTS

H2311

