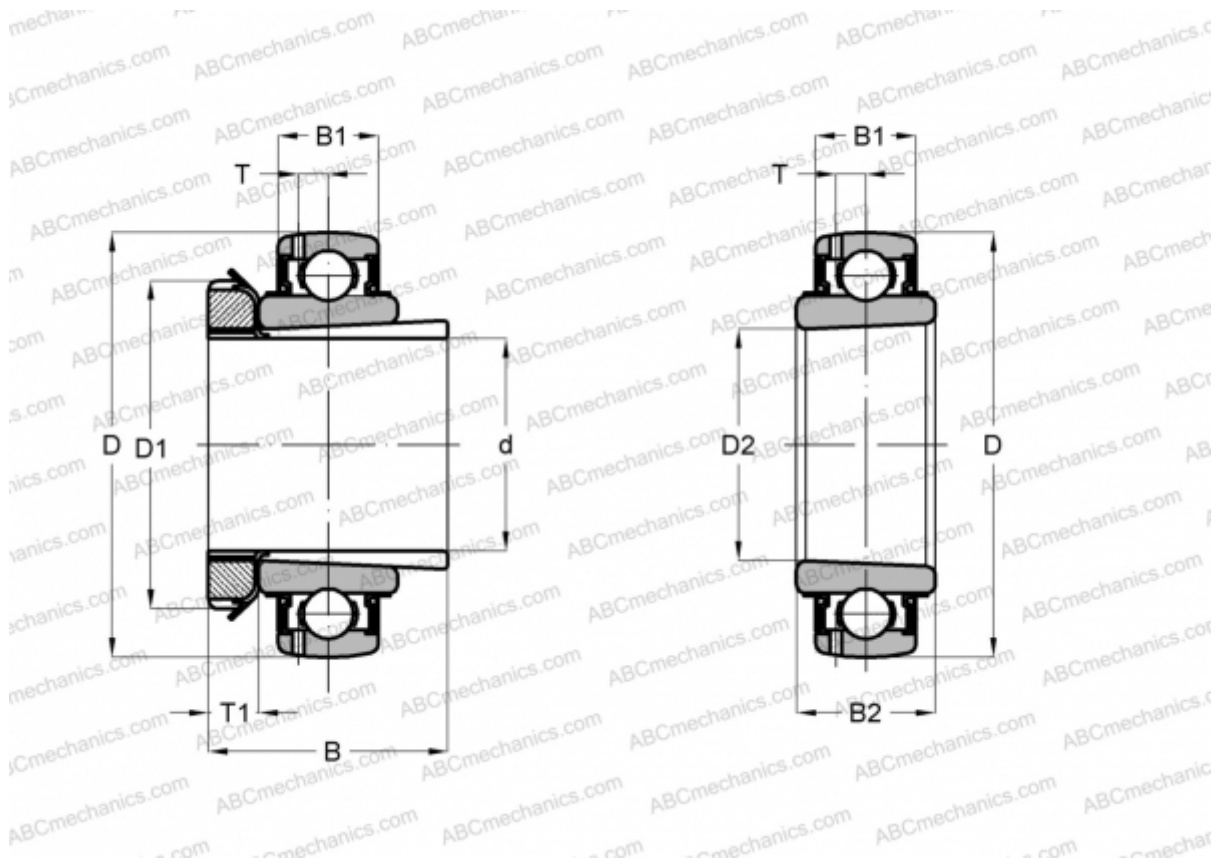


UK205+H-12 SNR

Insert bearings

TYPE: Ball bearings, Radial insert bearings, With adapter sleeve, Spherical outer ring, Seals on both side, RSR seal, relubrication, inch size



Technical specification

DIMENSIONS, MM

| | |
|----|--------|
| d | 19,050 |
| D | 52,000 |
| D1 | 38,000 |
| D2 | 25,000 |
| B | 35,000 |
| B1 | 17,000 |
| B2 | 21,000 |
| T | 4,300 |
| T1 | 8,000 |

CALCULATION DATA

| | |
|------------------------------|-----------|
| Basic dynamic load rating, C | 14,000 kN |
| Basic static load rating, Co | 7,880 kN |
| Operating temperature min | -20 °C |
| Operating temperature max | 110 °C |

MANUFACTURER

[SNR](#)

INTERCHANGE

| | |
|-------|---------------------------------|
| ABC | UK 205 + HE2305 |
| SKF | YSA 205-2FK |
| ASAHI | UK 205 + HE2305 |



INCLUDED PRODUCTS

H2305-12

