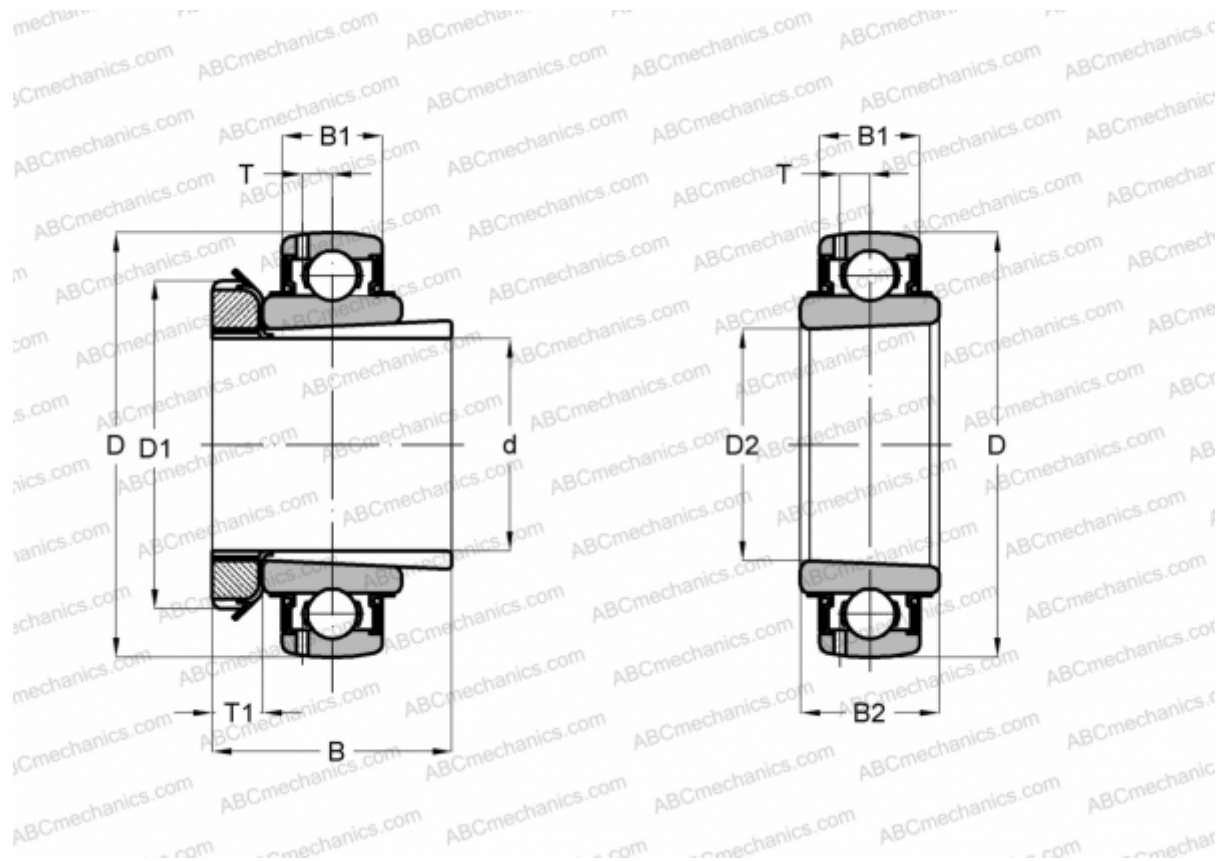


## UK305+H-12 SNR

Insert bearings

TYPE: Ball bearings, Radial insert bearings, With adapter sleeve, Spherical outer ring, Seals on both side, RSR seal, relubrication, inch size



### Technical specification

#### DIMENSIONS, MM

d	19,050
D	62,000
D1	38,000
D2	25,000
B	35,000
B1	21,000
B2	27,000
T	6,200
T1	8,000

#### CALCULATION DATA

Basic dynamic load rating, C	22,360 kN
Basic static load rating, Co	11,500 kN
Operating temperature min	-20 °C
Operating temperature max	110 °C

#### MANUFACTURER

[SNR](#)

#### INTERCHANGE

ABC	<a href="#">UK 305 + HE2305</a>
ASAHI	<a href="#">UK 305 + HE2305</a>

#### INCLUDED PRODUCTS

H2305-12