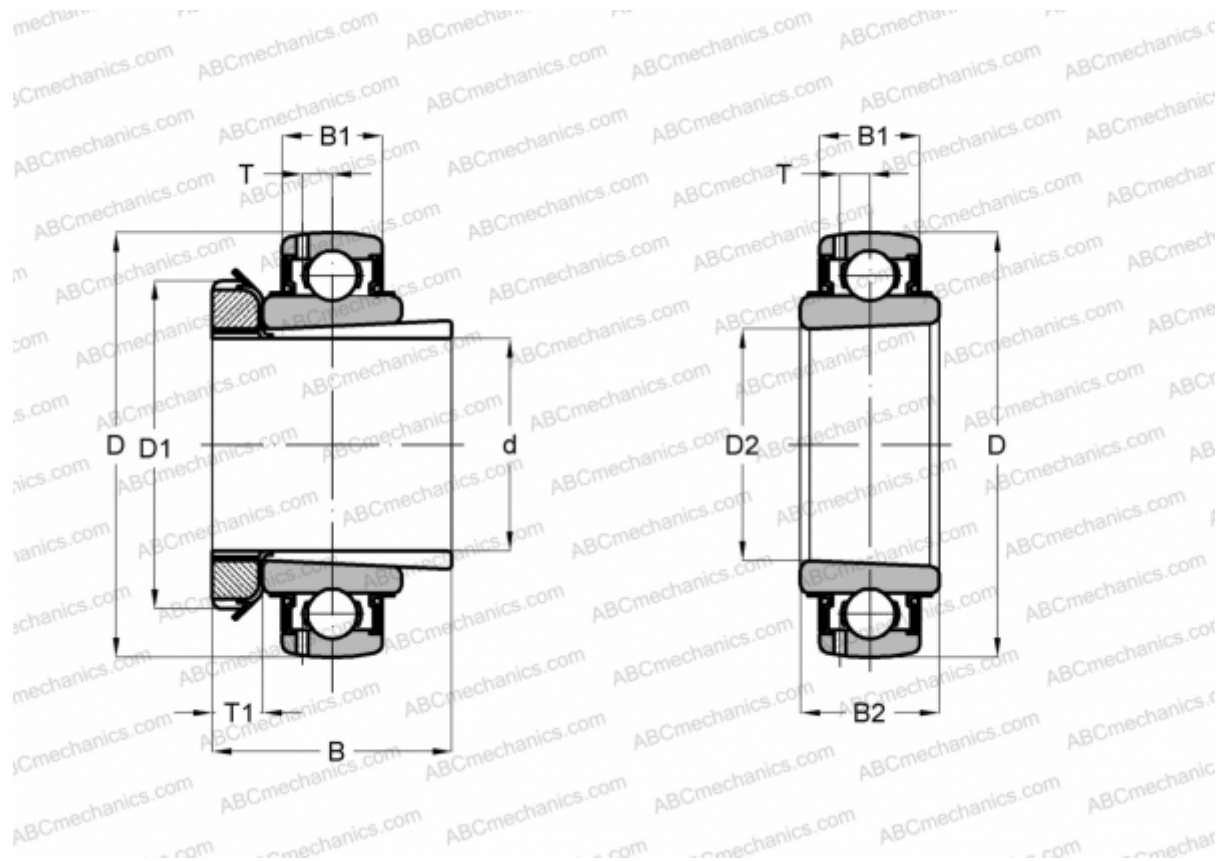


UK206+H-14 SNR

Insert bearings

TYPE: Ball bearings, Radial insert bearings, With adapter sleeve, Spherical outer ring, Seals on both side, RSR seal, relubrication, inch size



Technical specification

DIMENSIONS, MM

d	22,225
D	62,000
D1	45,000
D2	30,000
B	38,000
B1	19,000
B2	25,000
T	5,000
T1	8,000

CALCULATION DATA

Basic dynamic load rating, C	19,500 kN
Basic static load rating, Co	11,200 kN
Operating temperature min	-20 °C
Operating temperature max	110 °C

MANUFACTURER

[SNR](#)

INTERCHANGE

ABC	UK 206 + HS2306
ASAHI	UK 206 + HS2306

INCLUDED PRODUCTS

H2306-14