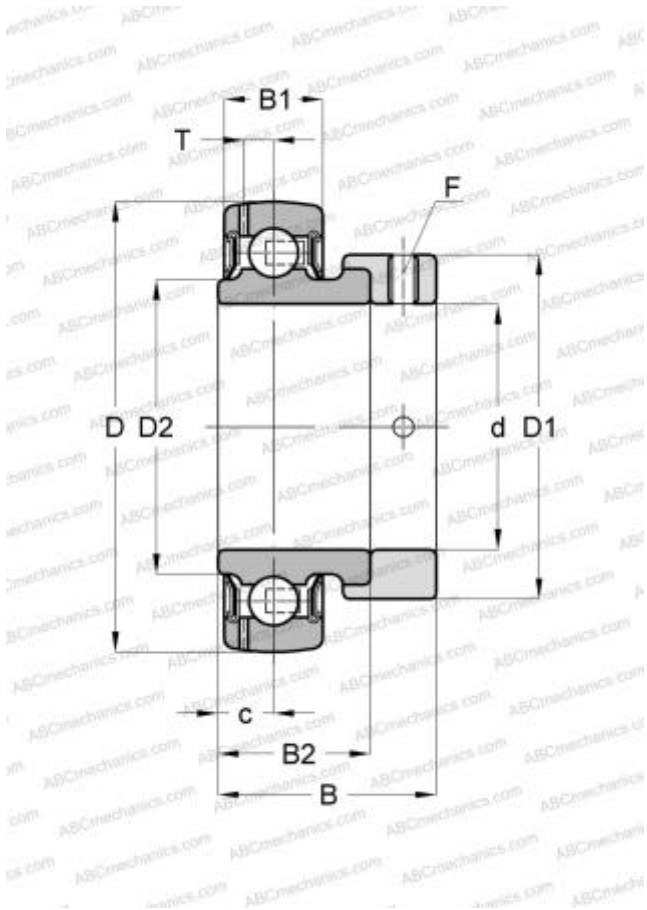


SES210 SNR

Insert bearings

TYPE: Ball bearings, Radial insert bearings, With eccentric locking collar, Spherical outer ring, Series SES(SNR), seals on both side, corrosion resistant



Technical specification

DIMENSIONS, MM

d	50,000
D	90,000
D1	69,900
B	43,700
B1	20,000
B2	30,200
c	10,000
F	M8x1

MANUFACTURER

[SNR](#)

CALCULATION DATA

Basic dynamic load rating, C	27,500 kN
Basic static load rating, Co	23,700 kN
Operating temperature min	-20 °C
Operating temperature max	120 °C