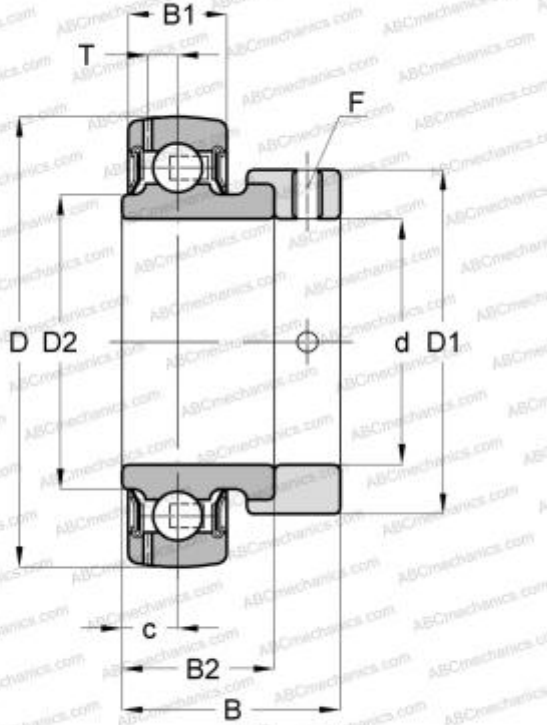


SES211-32 SNR

Insert bearings

TYPE: Ball bearings, Radial insert bearings, With eccentric locking collar, Spherical outer ring, Series SES(SNR), seals on both side, corrosion resistant, inch size



Technical specification

DIMENSIONS, MM

| | |
|----|----------|
| d | 50,800 |
| D | 100,000 |
| D1 | 76,200 |
| B | 48,400 |
| B1 | 21,000 |
| B2 | 32,500 |
| c | 10,500 |
| F | M10x1.25 |

MANUFACTURER

[SNR](#)

CALCULATION DATA

| | |
|------------------------------|-----------|
| Basic dynamic load rating, C | 34,000 kN |
| Basic static load rating, Co | 25,500 kN |
| Operating temperature min | -20 °C |
| Operating temperature max | 120 °C |