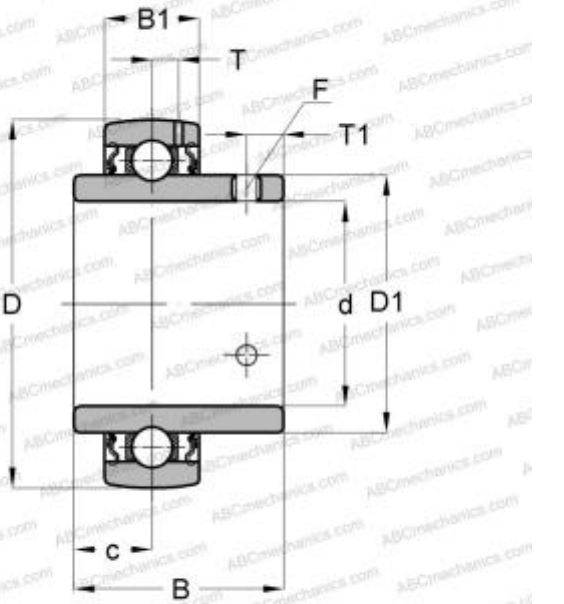


SUC210-31 SNR

Insert bearings

TYPE: Ball bearings, Radial insert bearings, Grub screw to inner ring, Spherical outer ring, Series SUC(SNR), seals on both side, corrosion resistant, inch size



Technical specification

DIMENSIONS, MM

d	49,213
D	90,000
B	51,600
B1	24,000
c	19,000
T1	10,000
F	M10x1.25

MANUFACTURER

[SNR](#)

CALCULATION DATA

Basic dynamic load rating, C	27,500 kN
Basic static load rating, Co	23,700 kN
Operating temperature min	-20 °C
Operating temperature max	120 °C