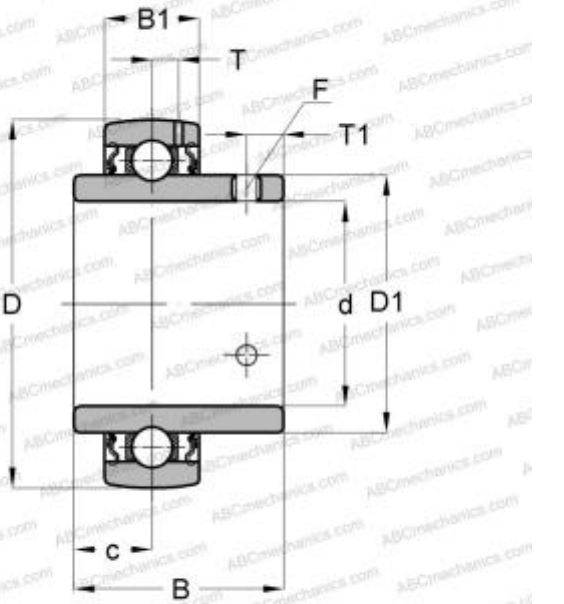


SUC211-32 SNR

Insert bearings

TYPE: Ball bearings, Radial insert bearings, Grub screw to inner ring, Spherical outer ring, Series SUC(SNR), seals on both side, corrosion resistant, inch size



Technical specification

DIMENSIONS, MM

| | |
|----|----------|
| d | 50,800 |
| D | 100,000 |
| B | 55,600 |
| B1 | 25,000 |
| c | 22,200 |
| T1 | 10,000 |
| F | M10x1.25 |

MANUFACTURER

[SNR](#)

CALCULATION DATA

| | |
|------------------------------|-----------|
| Basic dynamic load rating, C | 34,000 kN |
| Basic static load rating, Co | 25,500 kN |
| Operating temperature min | -20 °C |
| Operating temperature max | 120 °C |