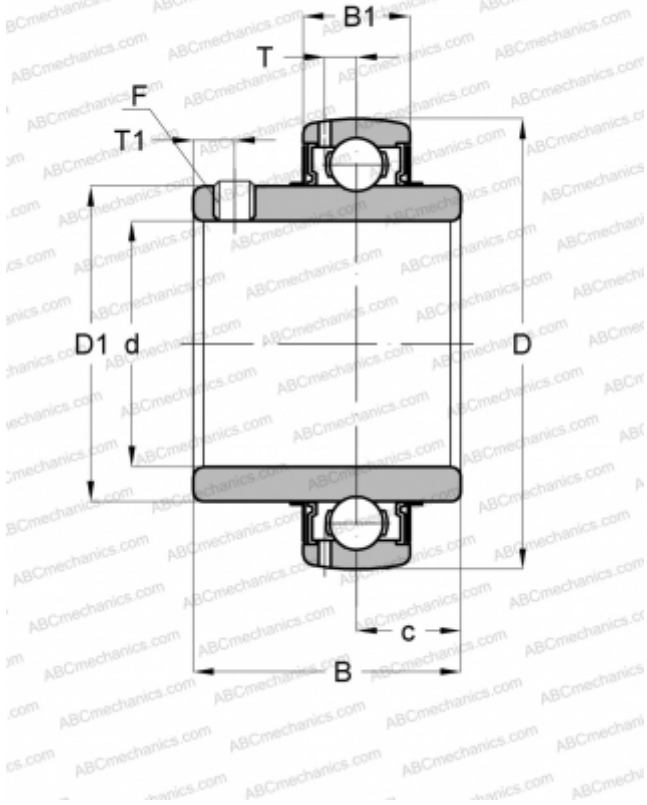


## UC X05 ABC

Insert bearings

TYPE: Ball bearings, Radial insert bearings, Grub screw to inner ring, Spherical outer ring, Seals on both side, R seal, relubrication, medium duty



### Technical specification

#### DIMENSIONS, MM

d	25,000
D	62,000
D1	40,500
B	38,100
B1	19,000
c	15,900
T	5,100
T1	5,000
F	M6x0.75

#### MANUFACTURER

[ABC](#)

#### INTERCHANGE

ASAHI	<a href="#">UC X05</a>
SLB	<a href="#">UC X05</a>
FYH	<a href="#">UC X05</a>
NTN	<a href="#">UC X05 D1</a>