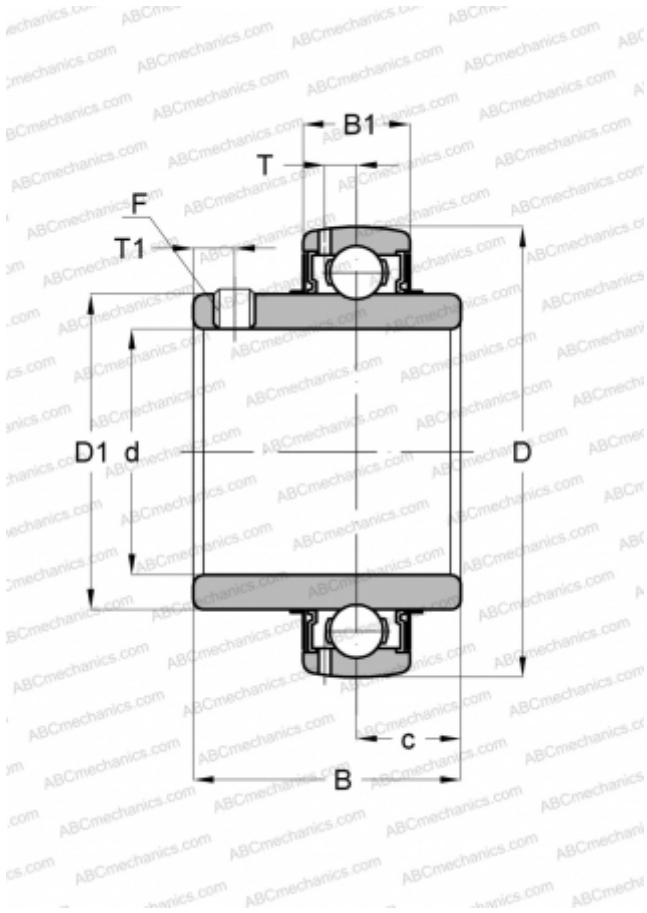


UC X06 ABC

Insert bearings

TYPE: Ball bearings, Radial insert bearings, Grub screw to inner ring, Spherical outer ring, Seals on both side, R seal, relubrication, medium duty



Technical specification

DIMENSIONS, MM

d	30,000
D	72,000
D1	48,000
B	42,900
B1	20,000
c	17,500
T	5,800
T1	6,000
F	M3x1

MANUFACTURER

[ABC](#)

INTERCHANGE

ASAHI	UC X06
SLB	UC X06
FYH	UC X06
NTN	UC X06 D1