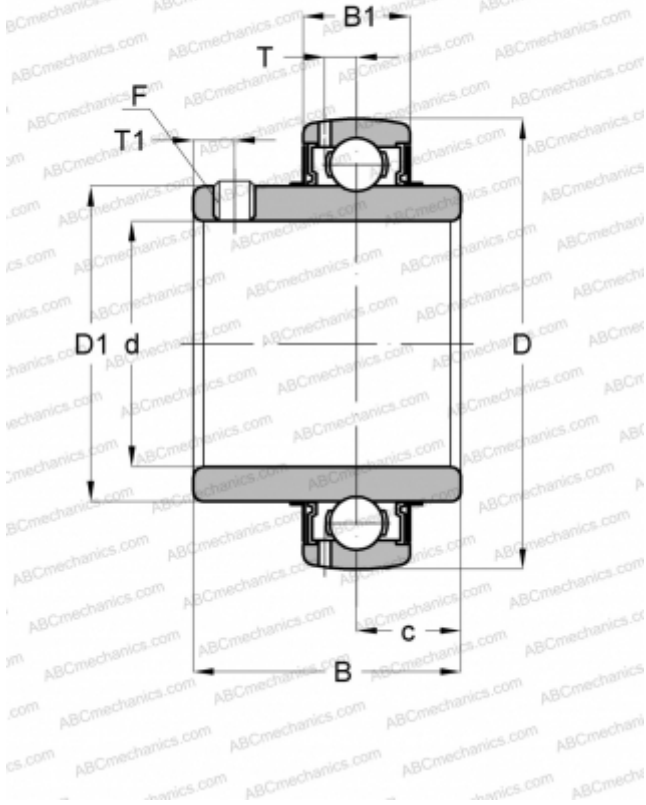


UC X05 SLB

Insert bearings

TYPE: Ball bearings, Radial insert bearings, Grub screw to inner ring, Spherical outer ring, Seals on both side, R seal, relubrication, medium duty



Technical specification

DIMENSIONS, MM

d	25,000
D	62,000
D1	40,500
B	38,100
B1	19,000
c	15,900
T	5,100
T1	5,000
F	M6x0.75

MANUFACTURER

[SLB](#)

INTERCHANGE

ABC	UC X05
ASAHI	UC X05
FYH	UC X05
NTN	UC X05 D1