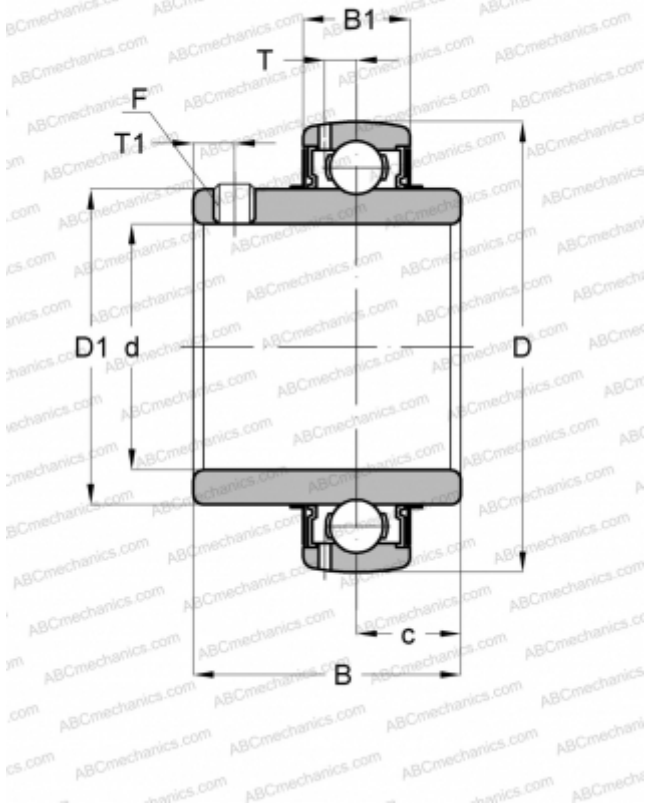


## UC X05 D1 NTN

Insert bearings

TYPE: Ball bearings, Radial insert bearings, Grub screw to inner ring, Spherical outer ring, Seals on both side, R seal, relubrication, medium duty



### Technical specification

#### DIMENSIONS, MM

|    |         |
|----|---------|
| d  | 25,000  |
| D  | 62,000  |
| D1 | 40,500  |
| B  | 38,100  |
| B1 | 19,000  |
| c  | 15,900  |
| T  | 5,100   |
| T1 | 5,000   |
| F  | M6x0.75 |

#### MANUFACTURER

[NTN](#)

#### INTERCHANGE

|       |                        |
|-------|------------------------|
| ABC   | <a href="#">UC X05</a> |
| ASAHI | <a href="#">UC X05</a> |
| SLB   | <a href="#">UC X05</a> |
| FYH   | <a href="#">UC X05</a> |