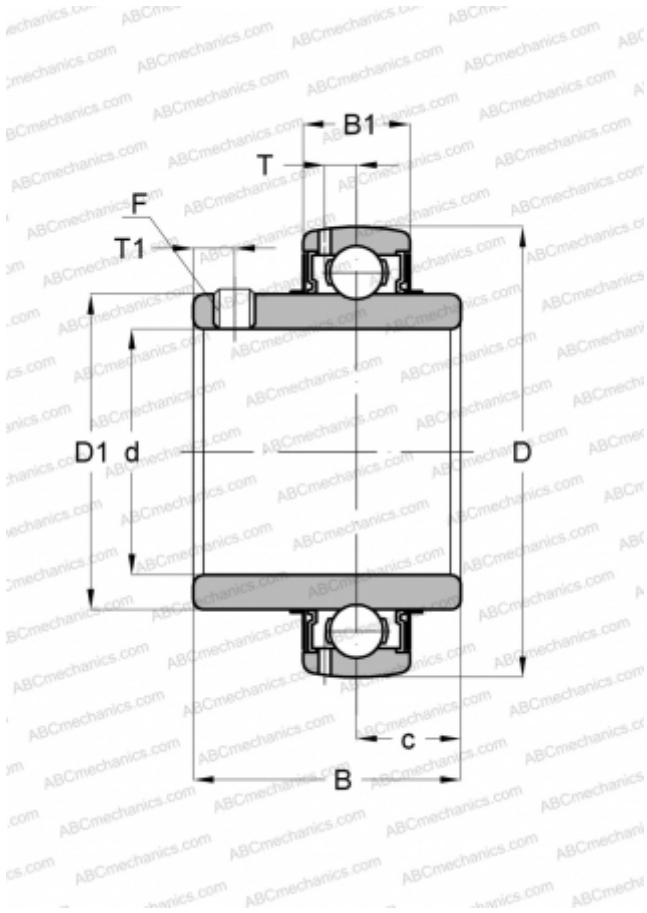


## UC X06 FYH

Insert bearings

TYPE: Ball bearings, Radial insert bearings, Grub screw to inner ring, Spherical outer ring, Seals on both side, R seal, relubrication, medium duty



### Technical specification

#### DIMENSIONS, MM

d	30,000
D	72,000
D1	48,000
B	42,900
B1	20,000
c	17,500
T	5,800
T1	6,000
F	M3x1

#### MANUFACTURER

[FYH](#)

#### INTERCHANGE

ABC	<a href="#">UC X06</a>
ASAHI	<a href="#">UC X06</a>
SLB	<a href="#">UC X06</a>
NTN	<a href="#">UC X06 D1</a>