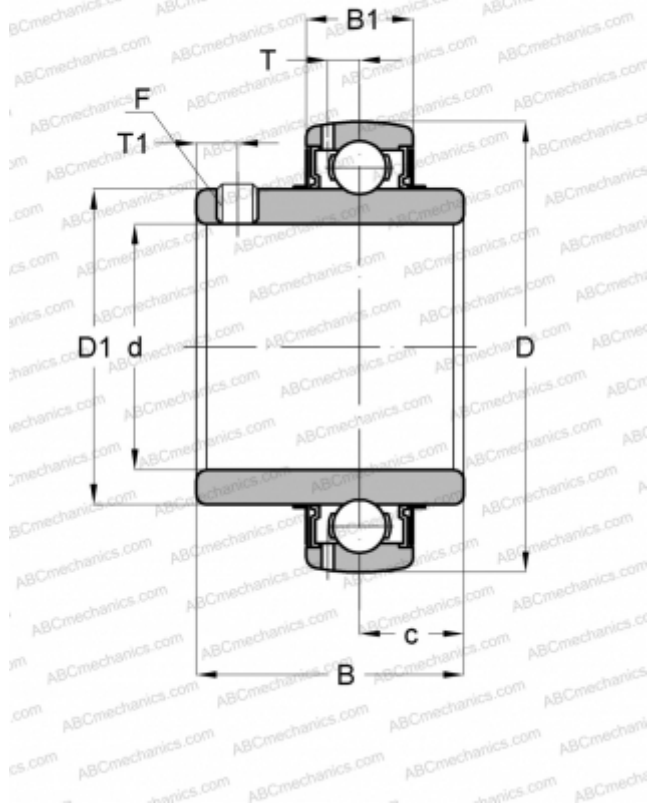


## UC X05-13 ABC

Insert bearings

TYPE: Ball bearings, Radial insert bearings, Grub screw to inner ring, Spherical outer ring, Seals on both side, R seal, relubrication, medium duty, inch size



### Technical specification

#### DIMENSIONS, MM

|    |        |
|----|--------|
| d  | 20,638 |
| D  | 62,000 |
| D1 | 40,800 |
| B  | 38,100 |
| B1 | 19,000 |
| c  | 15,900 |
| T  | 5,105  |
| T1 | 5,000  |
| F  | 1/4-28 |

#### MANUFACTURER

[ABC](#)

#### INTERCHANGE

SLB

[UC X05-13](#)

NTN

[UC X05-013 D1](#)