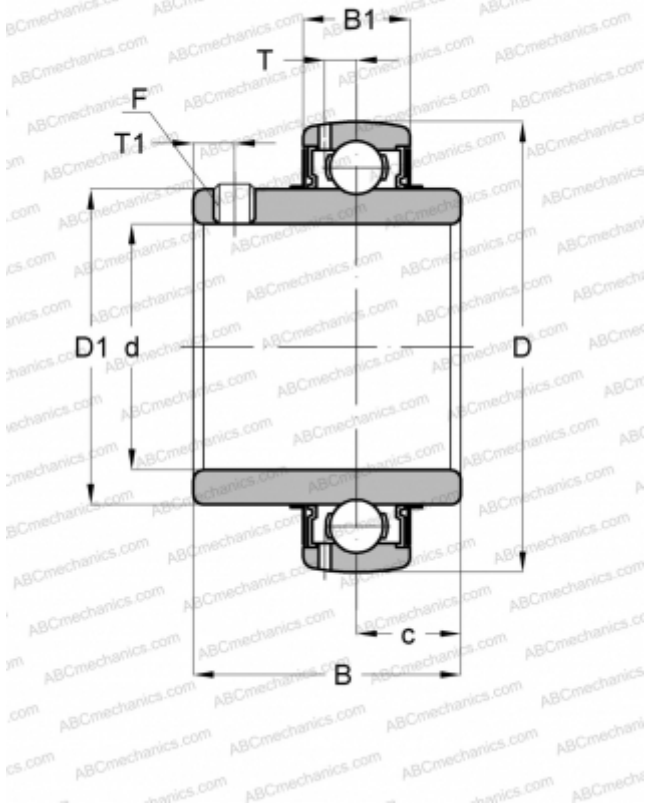


UC X05-013 D1 NTN

Insert bearings

TYPE: Ball bearings, Radial insert bearings, Grub screw to inner ring, Spherical outer ring, Seals on both side, R seal, relubrication, medium duty, inch size



Technical specification

DIMENSIONS, MM

d	20,638
D	62,000
D1	40,800
B	38,100
B1	19,000
c	15,900
T	5,105
T1	5,000
F	1/4-28

MANUFACTURER

[NTN](#)

INTERCHANGE

ABC

[UC X05-13](#)

SLB

[UC X05-13](#)