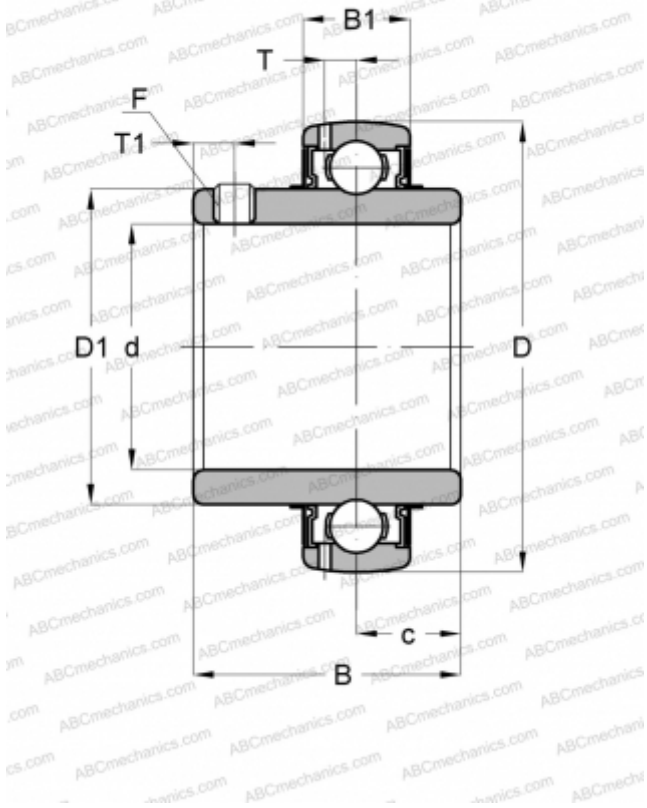


UC X05-15 ABC

Insert bearings

TYPE: Ball bearings, Radial insert bearings, Grub screw to inner ring, Spherical outer ring, Seals on both side, R seal, relubrication, medium duty, inch size



Technical specification

DIMENSIONS, MM

| | |
|----|--------|
| d | 23,812 |
| D | 61,999 |
| D1 | 40,488 |
| B | 38,100 |
| B1 | 18,999 |
| c | 15,900 |
| T | 5,105 |
| T1 | 5,004 |
| F | 1/4-28 |

MANUFACTURER

[ABC](#)

INTERCHANGE

| | |
|-------|-------------------------------|
| ASAHI | UC X05-15 |
| SLB | UC X05-15 |
| NTN | UC X05-015 D1 |