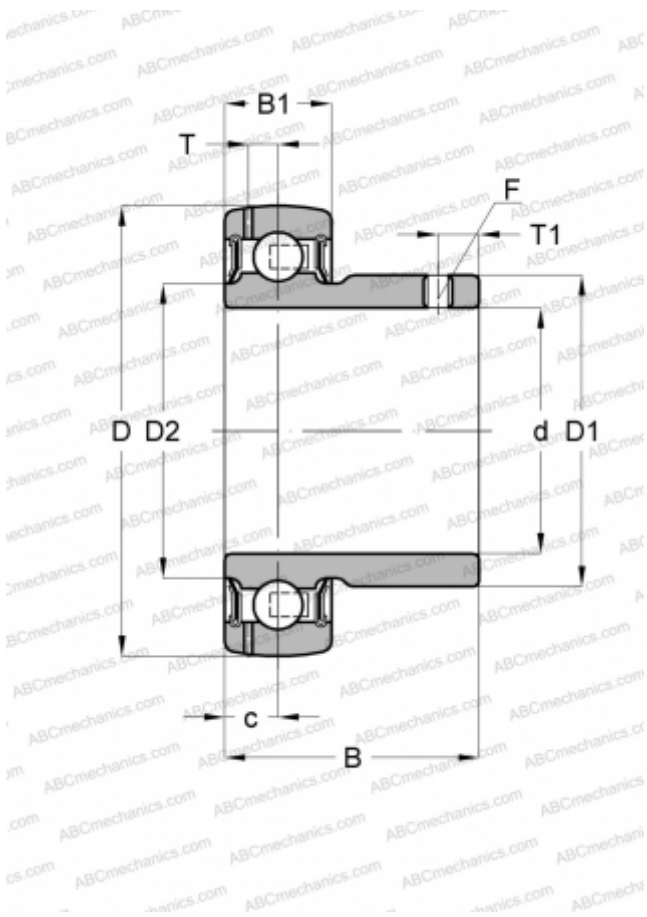


## SB 201 SLB

Insert bearings

TYPE: Ball bearings, Radial insert bearings, Grub screw to inner ring, Spherical outer ring, Seals on both side, P seal, relubrication



### Technical specification

#### DIMENSIONS, MM

d	12,000
D	40,000
D1	23,900
D2	22,900
B	22,000
B1	12,000
c	6,000
T	3,400
T1	4,000
F	2.5

#### MANUFACTURER

[SLB](#)

#### INTERCHANGE

ABC	<a href="#">GAY12-NPP-B</a>
ASAHI	<a href="#">B 1</a>
INA	<a href="#">GAY12-NPP-B</a>
SNR	<a href="#">US201G2</a>
FYH	<a href="#">SB 201</a>
NTN	<a href="#">AS 201</a>