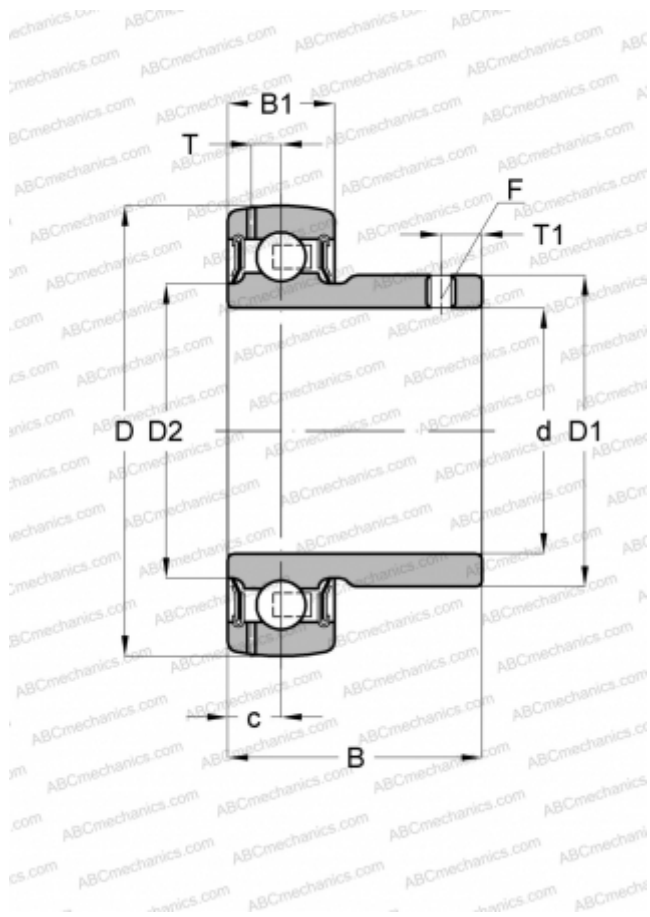


SB 202 SLB

Insert bearings

TYPE: Ball bearings, Radial insert bearings, Grub screw to inner ring, Spherical outer ring, Seals on both side, P seal, relubrication



Technical specification

DIMENSIONS, MM

d	15,000
D	40,000
D1	23,900
D2	22,900
B	22,000
B1	12,000
c	6,000
T	3,400
T1	4,000
F	2.5

MANUFACTURER

[SLB](#)

INTERCHANGE

ABC	GAY15-NPP-B
ASAHI	B 2
INA	GAY15-NPP-B
SNR	US202G2
FYH	SB 202
NTN	AS 202