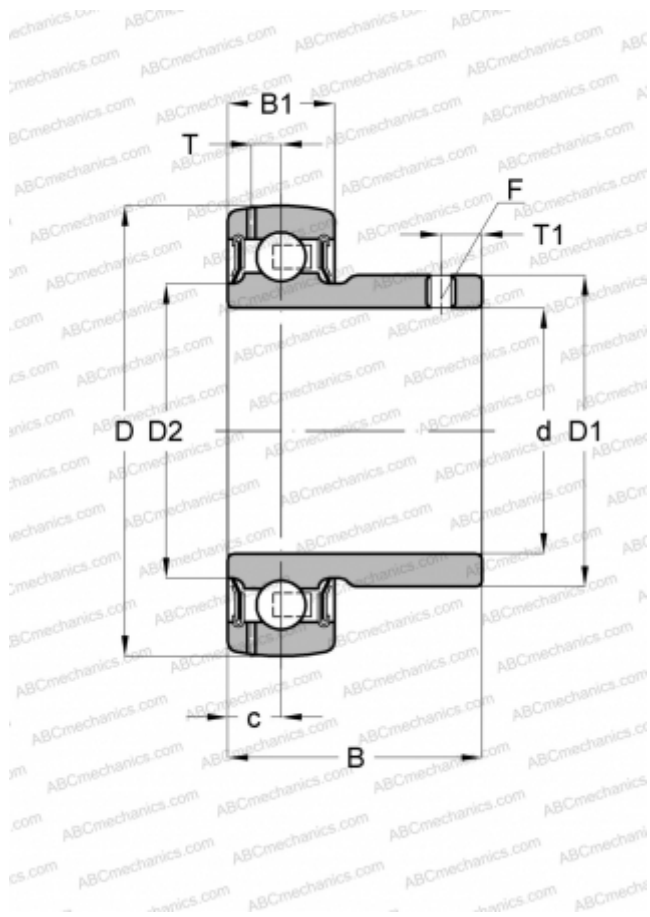


AS 202 NTN

Insert bearings

TYPE: Ball bearings, Radial insert bearings, Grub screw to inner ring, Spherical outer ring, Seals on both side, P seal, relubrication



Technical specification

DIMENSIONS, MM

| | |
|----|--------|
| d | 15,000 |
| D | 40,000 |
| D1 | 23,900 |
| D2 | 22,900 |
| B | 22,000 |
| B1 | 12,000 |
| c | 6,000 |
| T | 3,400 |
| T1 | 4,000 |
| F | 2.5 |

MANUFACTURER

[NTN](#)

INTERCHANGE

| | |
|-------|-----------------------------|
| ABC | GAY15-NPP-B |
| ASAHI | B 2 |
| INA | GAY15-NPP-B |
| SNR | US202G2 |
| SLB | SB 202 |
| FYH | SB 202 |