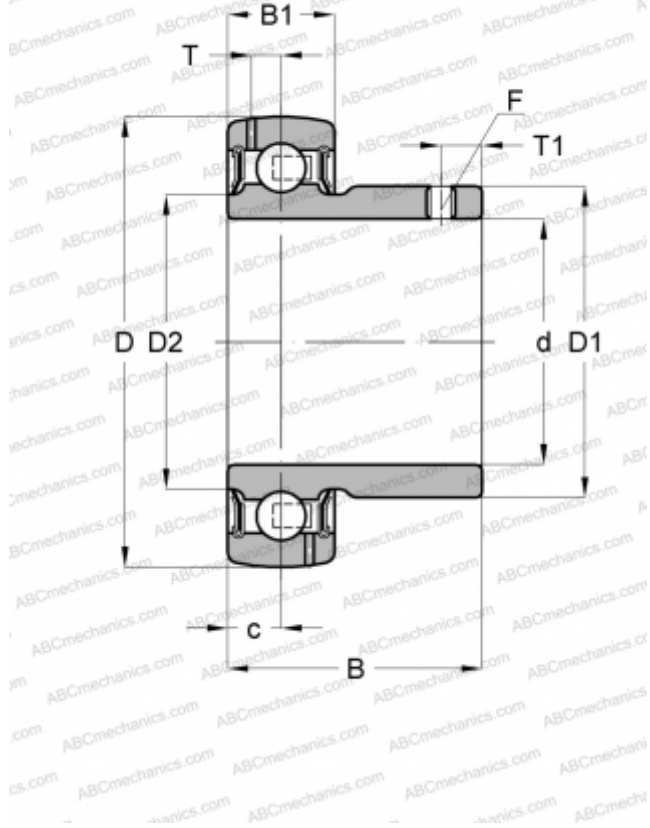


## B 1-8 ABC

Insert bearings

TYPE: Ball bearings, Radial insert bearings, Grub screw to inner ring, Spherical outer ring, Seals on both side, P seal, relubrication, inch size



### Technical specification

#### DIMENSIONS, MM

d	12,700
D	40,000
D1	24,689
B	21,996
B1	11,989

#### MANUFACTURER

[ABC](#)

#### INTERCHANGE

SNR	<a href="#">US201-08G2</a>
ASAHI	<a href="#">B 1-8</a>
SLB	<a href="#">SB 201-8</a>
FYH	<a href="#">SB 201-8</a>
NTN	<a href="#">AS 201-008</a>