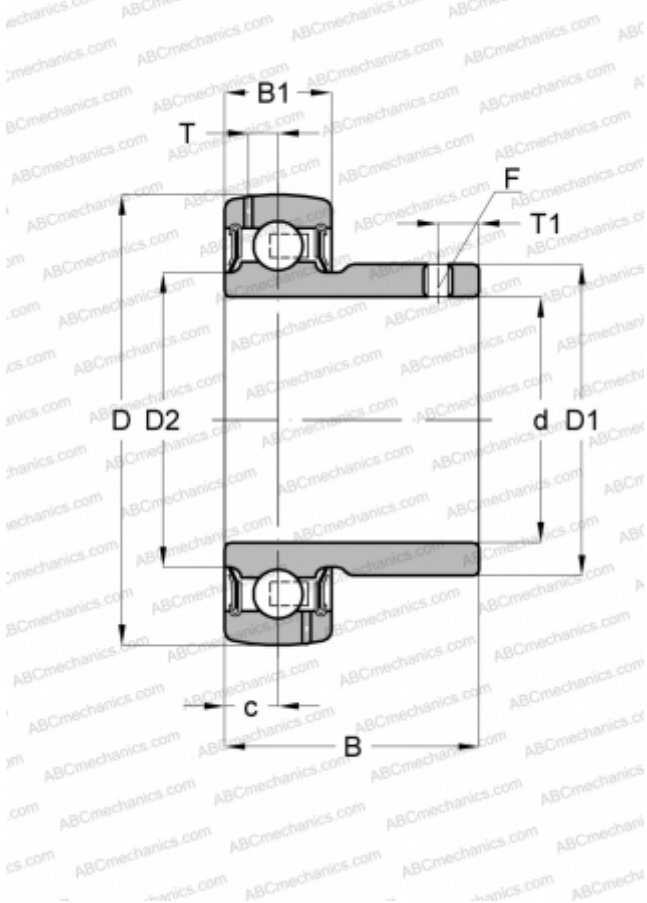


US201-08G2 SNR

Insert bearings

TYPE: Ball bearings, Radial insert bearings, Grub screw to inner ring, Spherical outer ring, Seals on both side, P seal, relubrication, inch size



Technical specification

DIMENSIONS, MM

d	12,700
D	40,000
D1	24,600
B	22,000
B1	12,000
c	6,000
T	3,600
T1	4,000
F	10-32UNF

MANUFACTURER

[SNR](#)

INTERCHANGE

ABC	B 1-8
ASAHI	B 1-8
SLB	SB 201-8
FYH	SB 201-8
NTN	AS 201-008

CALCULATION DATA

Basic dynamic load rating, C	9,550 kN
Basic static load rating, Co	4,780 kN
Operating temperature min	-20 °C
Operating temperature max	110 °C