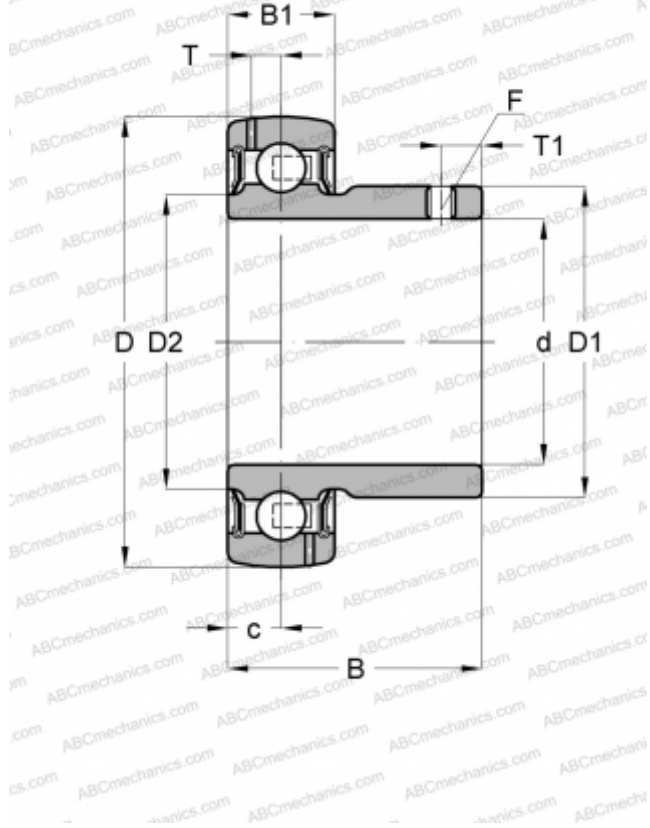


AS 201-008 NTN

Insert bearings

TYPE: Ball bearings, Radial insert bearings, Grub screw to inner ring, Spherical outer ring, Seals on both side, P seal, relubrication, inch size



Technical specification

DIMENSIONS, MM

d	12,700
D	40,000
D1	24,689
B	21,996
B1	11,989

MANUFACTURER

[NTN](#)

INTERCHANGE

ABC	B 1-8
SNR	US201-08G2
ASAHI	B 1-8
SLB	SB 201-8
FYH	SB 201-8