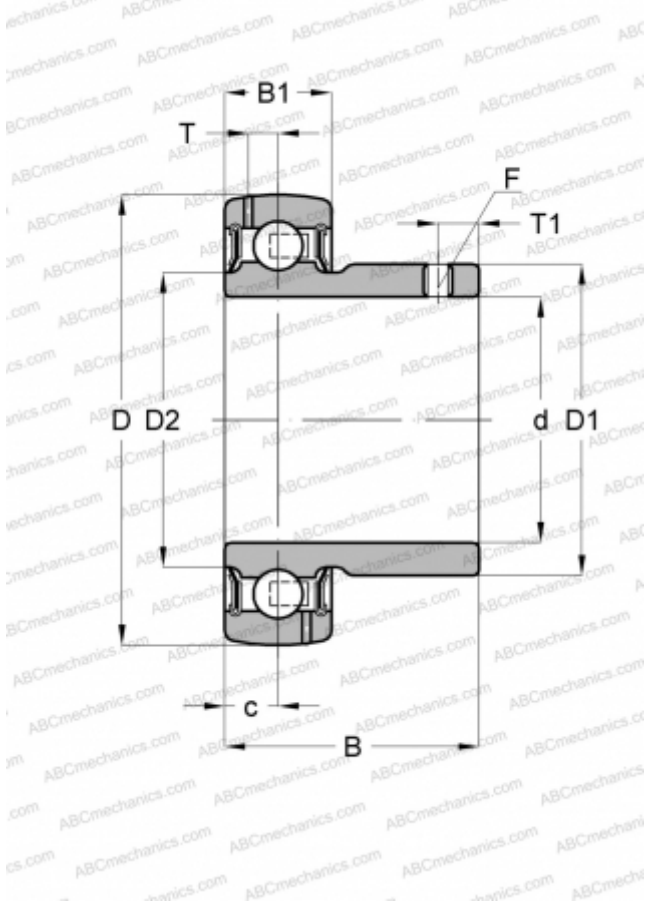


SB 202-9 SLB

Insert bearings

TYPE: Ball bearings, Radial insert bearings, Grub screw to inner ring, Spherical outer ring, Seals on both side, P seal, relubrication, inch size



Technical specification

DIMENSIONS, MM

| | |
|----|--------|
| d | 14,287 |
| D | 40,000 |
| D1 | 24,689 |
| B | 21,996 |
| B1 | 11,989 |

MANUFACTURER

[SLB](#)

INTERCHANGE

| | |
|-------|----------------------------|
| ABC | B 2-9 |
| ASAHI | B 2-9 |
| NTN | AS 202-009 |